

IRBS1-CP

COMMERCIAL Tap Range Infrared Automatic Swan Basin Spout



Specification

| | |
|--|------------------------------------|
| Product Type: | Commercial Tap |
| Main Construction Material: | Brass |
| Mount Type: | Deck Mounted |
| Connection Inlet: | G 1/2" BSP |
| Connection Outlet: | Aerator |
| Number of Tap Holes: | 1 |
| Valve/Cartridge Type: | Solenoid Valve |
| Plumbing System Requirements: | Suitable for high pressure systems |
| Minimum Dynamic Pressure: | 1.0 Bar |
| Maximum Dynamic Pressure: | 5.0 Bar |
| Maximum Hot Water Temperature: °C | 65 |
| Maximum Static Pressure: (bar) | 10 |
| Flow Type: | Dual Flow |
| Isolation Included: | No |

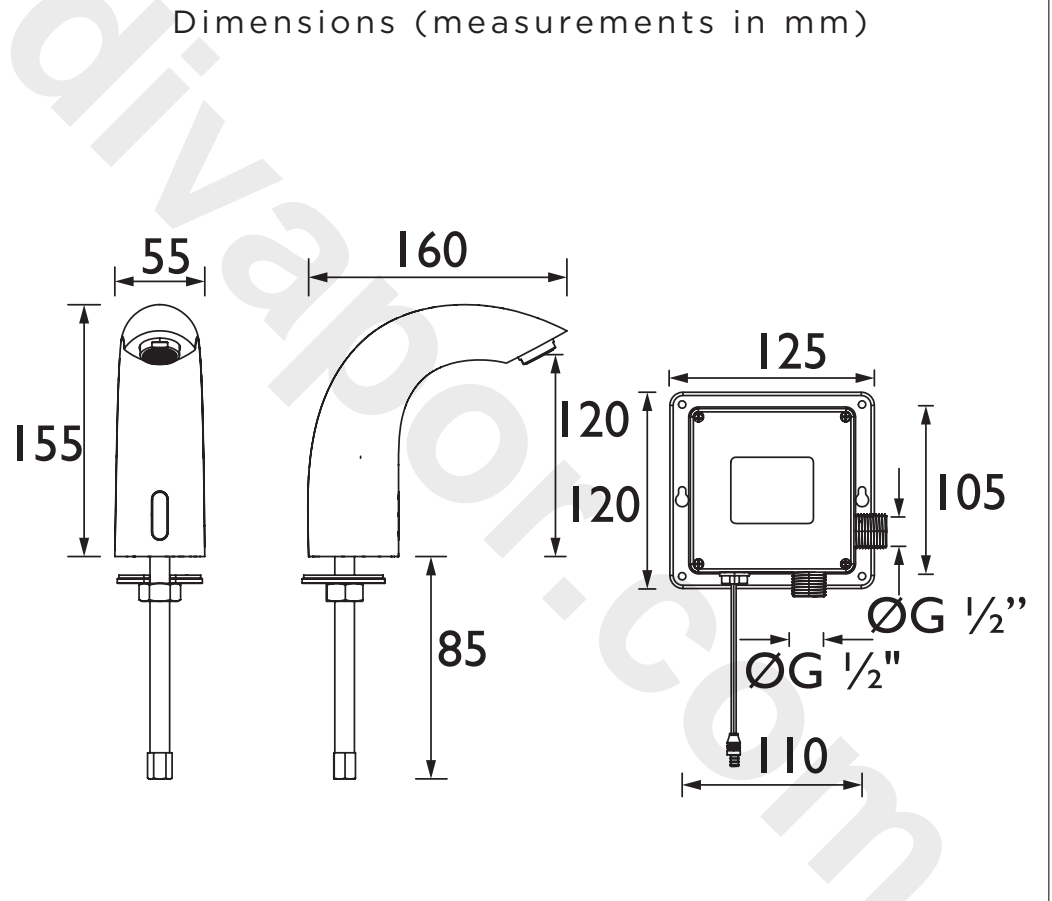
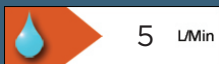
Features:

- Non-touch control, using Infrared sensing technology, supports infection control measures
- Mains or battery powered options
- Automatic switch off supports water saving
- BREEAM compliant

Product Certifications:



WRAS Cert. Number: 1805363
WRAS Expiry Date: 31/05/2023



For more products, visit our website:
<http://www.bristan.com>



Flow Rates (l/min)

| System Pressure (bar) | 1 | 2 | 3 | 5 |
|-----------------------|-----|---|---|---|
| IRBS1-CP | 3.9 | 5 | 5 | 5 |

TECHNICAL
DATA
SHEET



BRISTAN

D7