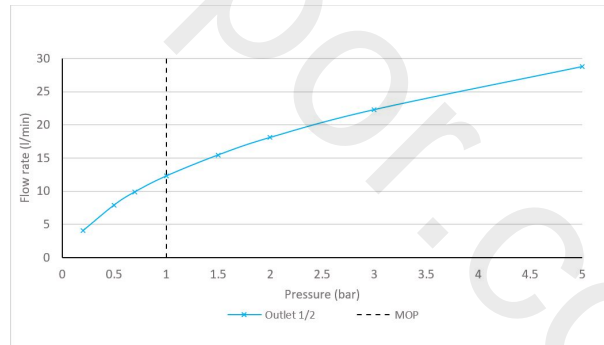


SPECIFICATION SHEET

COLLECTION: ZONE
PRODUCT CODE: IND-Z128/2-BLK



SHOWER TYPE

Shower Valve

VALVE TYPE

Concealed

STYLE

Round, Square

ORIENTATION

Vertical

NUMBER OF OUTLETS

2 Outlet

WITH ALL-FLOW FUNCTION

Yes

WITH INTEGRATED DIVERTER

No

COMPATIBLE WITH STUDFAST

No

WITH BLEED VALVE FOR SYSTEM FLUSH ON INSTALLATION

No

tel: 01934 744466
email: sales@vado.com
www.vado.com

WHERE INSPIRATION FLOWS
TAPS | SHOWERS | ACCESSORIES



SPECIFICATION SHEET

COLLECTION: ZONE

PRODUCT CODE: IND-Z128/2-BLK

WITH SHOWER KIT

No

INCLUDES MORTAR / TILE GUARD

Yes

COMPATIBLE WITH EASY-FIX BRACKETS

No

WITH THERMOSTATIC TECHNOLOGY

Yes

MIN-MAX WALL MOUNT

80-117mm

CONNECTIONS / FITTINGS

2 x 1/2" female inlets, 2 x 1/2" female outlets, 2 x 1/2" capped-off female outlets*

SPARE PARTS

thermostatic cartridge V-701-32S, 2 x flow-stop-go cartridge N-10-01-26F

NOTES

*to operate the additional outlet(s) further purchase of ZON-143 is required

MOUNTING

Wall Mounted

PLUMBING SYSTEM SUITABILITY

Combination Boiler

COLLECTION NAME

Zone

FINISH

Brushed Black

SPECIFICATION SHEET

COLLECTION: ZONE
PRODUCT CODE: IND-Z128/2-BLK

MINIMUM OPERATING PRESSURE

1.0 Bar MP

GUARANTEE

15 Year Guarantee

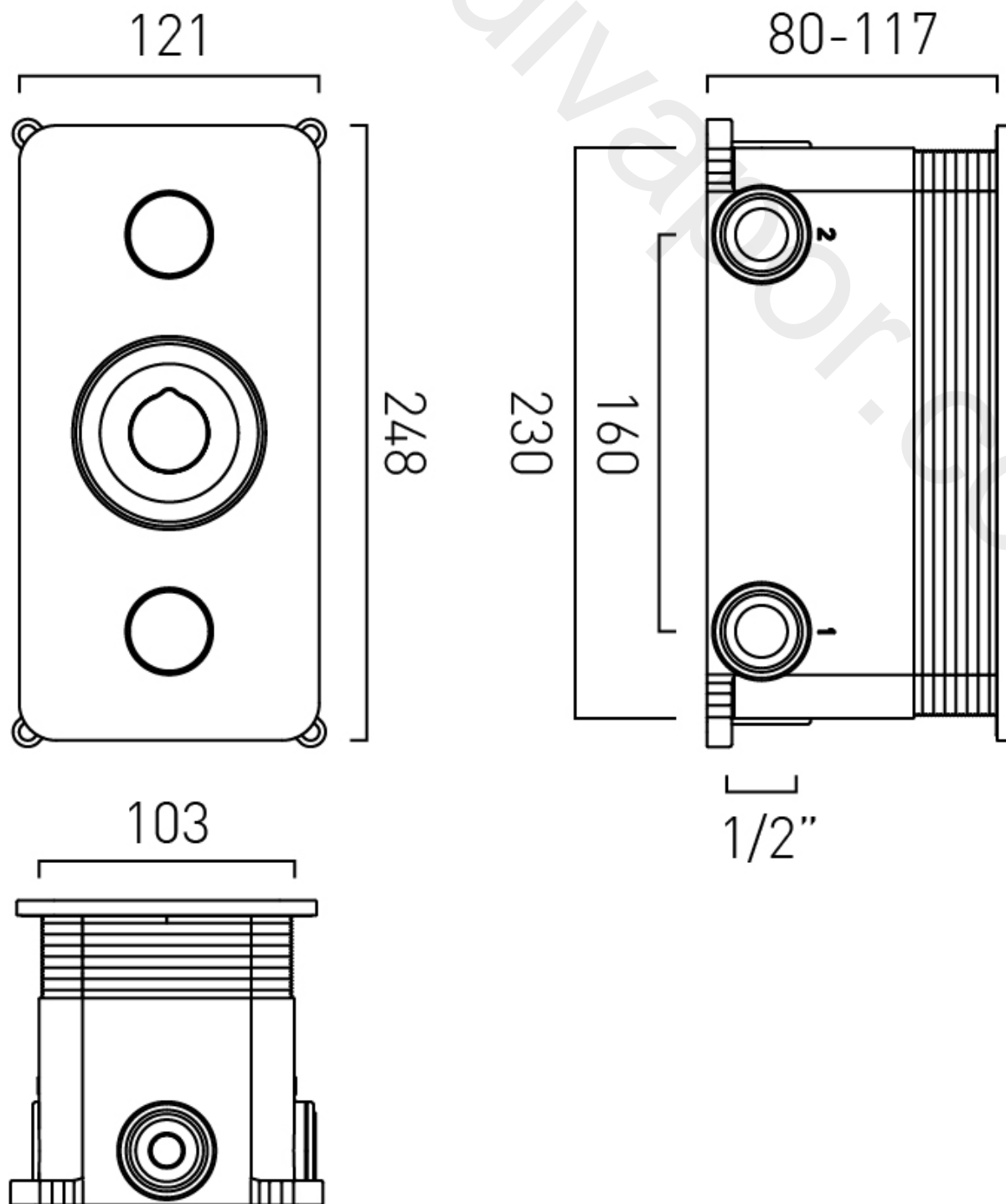
tel: 01934 744466
email: sales@vado.com
www.vado.com

WHERE INSPIRATION FLOWS
TAPS | SHOWERS | ACCESSORIES



TECHNICAL DRAWING

COLLECTION: ZONE
PRODUCT CODE: IND-Z128/2-BLK



tel: 01934 744466
email: sales@vado.com
www.vado.com

WHERE INSPIRATION FLOWS
TAPS | SHOWERS | ACCESSORIES

