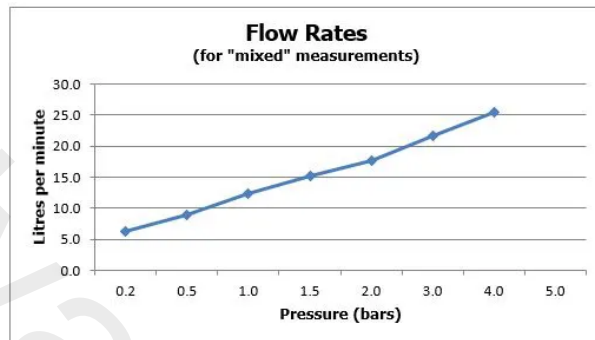
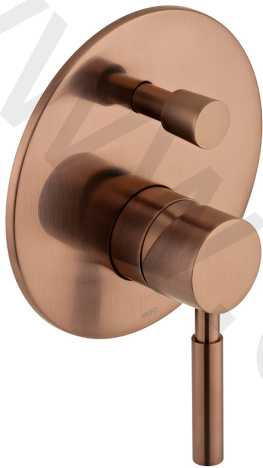


SPECIFICATION SHEET

COLLECTION: ORIGINS
PRODUCT CODE: IND-ORI147A-BRZ



SHOWER TYPE

Shower Valve

VALVE TYPE

Concealed

NUMBER OF OUTLETS

2 Outlet

HANDLES

Single Lever

WITH ALL-FLOW FUNCTION

No

WITH INTEGRATED DIVERTER

Yes

COMPATIBLE WITH STUDFAST

No

WITH BLEED VALVE FOR SYSTEM FLUSH ON INSTALLATION

No

WITH SHOWER KIT

No

tel: 01934 744466
email: sales@vado.com
www.vado.com

WHERE INSPIRATION FLOWS
TAPS | SHOWERS | ACCESSORIES



SPECIFICATION SHEET

COLLECTION: ORIGINS
PRODUCT CODE: IND-ORI147A-BRZ

INCLUDES MORTAR / TILE GUARD

No

COMPATIBLE WITH EASY-FIX BRACKETS

No

WITH THERMOSTATIC TECHNOLOGY

No

INSTALLATION TOLERANCES

min-max wall mount 50-70mm

CONNECTIONS / FITTINGS

2 x 1/2" female inlets 2 x 1/2" female outlets

SPARE PARTS

ceramic cartridge CAR-K35A

MOUNTING

Wall Mounted

PLUMBING SYSTEM SUITABILITY

Gravity System, Pumped System, Combination Boiler, Pressurised System

COLLECTION NAME

Origins

FINISH

Brushed Bronze

MINIMUM OPERATING PRESSURE

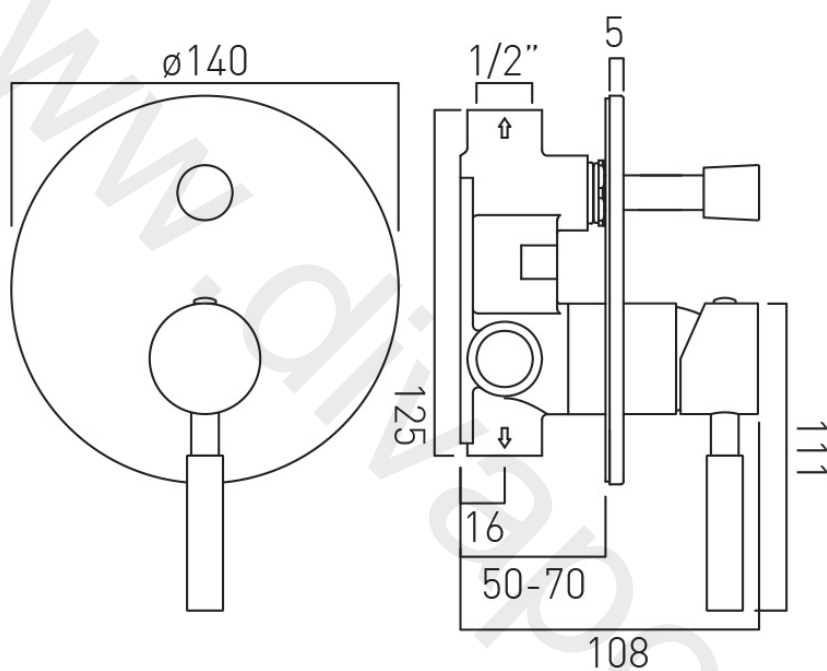
0.2 Bar LP (Shower) / 1.5 Bar MP (Bath)

GUARANTEE

15 Year Guarantee

TECHNICAL DRAWING

COLLECTION: ORIGINS
PRODUCT CODE: IND-ORI147A-BRZ



tel: 01934 744466
email: sales@vado.com
www.vado.com

WHERE INSPIRATION FLOWS
TAPS | SHOWERS | ACCESSORIES

