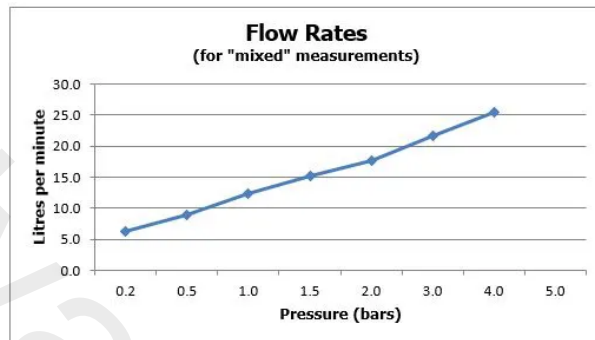


# SPECIFICATION SHEET

COLLECTION: ORIGINS  
PRODUCT CODE: IND-ORI147A-BRN



## SHOWER TYPE

Shower Valve

## VALVE TYPE

Concealed

## NUMBER OF OUTLETS

1 Outlet

## HANDLES

Single Lever

## WITH ALL-FLOW FUNCTION

No

## WITH INTEGRATED DIVERTER

Yes

## COMPATIBLE WITH STUDFAST

No

## WITH BLEED VALVE FOR SYSTEM FLUSH ON INSTALLATION

No

## WITH SHOWER KIT

No

tel: 01934 744466  
email: sales@vado.com  
www.vado.com

WHERE INSPIRATION FLOWS  
TAPS | SHOWERS | ACCESSORIES



# SPECIFICATION SHEET

COLLECTION: ORIGINS  
PRODUCT CODE: IND-ORI147A-BRN

## INCLUDES MORTAR / TILE GUARD

No

## COMPATIBLE WITH EASY-FIX BRACKETS

No

## WITH THERMOSTATIC TECHNOLOGY

No

## INSTALLATION TOLERANCES

min-max wall mount 50-70mm

## CONNECTIONS / FITTINGS

2 x 1/2" female inlets 2 x 1/2" female outlets

## SPARE PARTS

ceramic cartridge CAR-K35A

## MOUNTING

Wall Mounted

## PLUMBING SYSTEM SUITABILITY

Gravity System, Pumped System, Combination Boiler, Pressurised System

## COLLECTION NAME

Origins

## FINISH

Brushed Nickel

## MINIMUM OPERATING PRESSURE

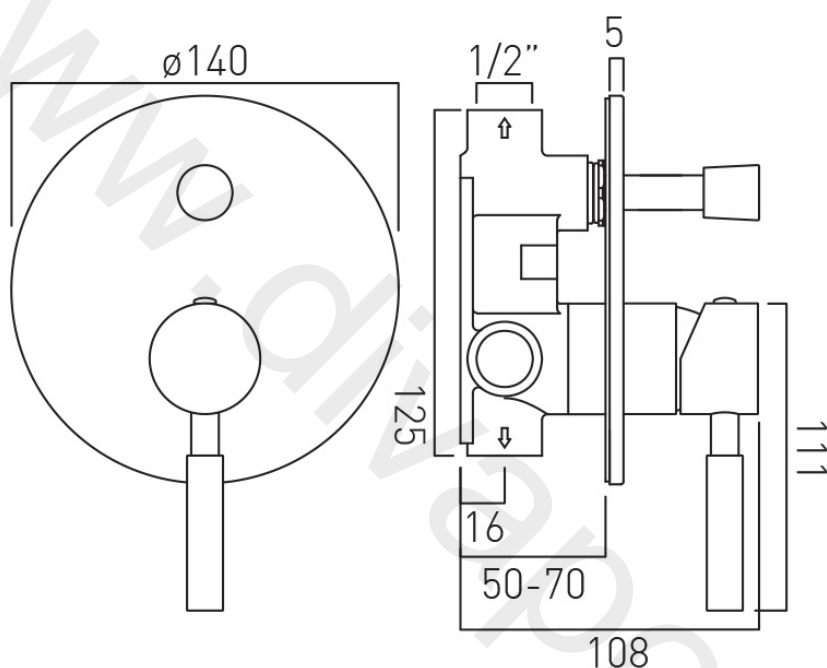
0.2 Bar LP (Shower) / 1.5 Bar MP (Bath)

## GUARANTEE

15 Year Guarantee

# TECHNICAL DRAWING

COLLECTION: ORIGINS  
PRODUCT CODE: IND-ORI147A-BRN



tel: 01934 744466  
email: sales@vado.com  
www.vado.com

WHERE INSPIRATION FLOWS  
TAPS | SHOWERS | ACCESSORIES

