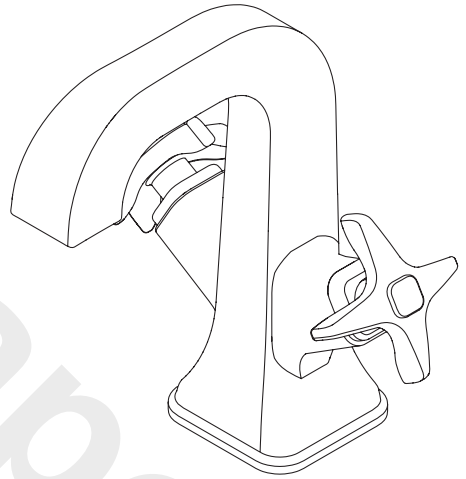


# BRISTAN

## Installation Instructions Glorious Tap Range



### **Models covered:**

GLR 1/2 C, GLR 3/4 C, GLR BAS C,  
GLR WMBAS C, GLR WMBF C,

Please keep this booklet for future reference.

Installer, when you have read these instructions please ensure you leave them with the user.



# Contents

Thank you for choosing Bristan, the UK's leading taps and showers expert.

We have designed this product with your enjoyment in mind. To ensure that it works to its full potential, it needs to be fitted correctly. These fitting instructions have been created to give you all of the information you need and, if you need any further help, please do not hesitate to contact us.

|  |       |
|--|-------|
| Important Safety Information.....            | 3     |
| General Information .....                    | 4     |
| Specifications .....                         | 4     |
| Dimensions.....                              | 5-7   |
| Installation Requirements .....              | 8     |
| Installation.....                            | 9-11  |
| Basin Mixer.....                             | 9     |
| Basin & Bath Taps.....                       | 10    |
| Wall Mounted Basin Mixer / Bath Filler ..... | 11    |
| Maintenance .....                            | 12    |
| Troubleshooting.....                         | 13    |
| Guarantee .....                              | 14-15 |

# Important Safety Information

- Please read these instructions thoroughly and retain for future use.
- All products manufactured and supplied by Bristan are safe provided they are installed, used correctly and receive regular maintenance in accordance with these instructions.
- **If you are in any doubt about your ability to install this product safely you must employ the services of an experienced qualified plumber.**
- This product needs to be installed in accordance with, and meet the requirements of the Water Supply (Water Fittings) Regulations 1999 and Scottish Byelaws 2004.
- Remove all packaging and check the fitting for damage before starting installation.
-  **Warning:** Before starting any installation please consider the following: before drilling into walls, check that there are no hidden electrical wires, cables or water supply pipes. This can be checked with the aid of an electronic detector.
- If power tools are used do not forget to:
  - Wear eye protection
  - Unplug equipment after use
- **Important:** Remember to turn off the mains water supply before connecting to any existing pipe work. Fitting isolating valves to the inlet feeds is recommended for ease of maintenance.
-  **Warning:** Before installing this product it is essential that you thoroughly flush through the pipework in order to remove any remaining swarf, solder, etc. Failure to carry out this procedure could cause problems or damage to the workings of the tap.
- Take care when handling the 'flexible connecting pipes', do not bend, twist or crush them. Only tighten the pipes by hand.
- This product must not be modified in any way as this will invalidate the guarantee.

# General Information

This product has been tested to the Water Regulations Advisory Scheme (WRAS) and satisfies the requirements of the Water Supply (Water Fittings) Regulations 1999 and current bylaws. For full Installation Requirements & Notes (IRN) please visit [www.wras.co.uk/directory](http://www.wras.co.uk/directory).

Designed to comply with BS EN 200 for combination taps to be used within systems designed to BS 6700.

BS 6700 recommends the temperature of stored water should never exceed 65°C. A stored water temperature of 60°C is considered sufficient to meet all normal requirements and will minimise the build up of lime scale in hard water areas.

If the product is installed at low pressure (tank fed), then the minimum distance from the highest installed position of the outlet to the underside of the cold tank should be at least 2 metres to ensure adequate performance.

These taps and mixers should be installed in compliance with the Water Regulations. Where the supplies are unbalanced, i.e. Hot water from cylinder tank / cold from the mains, approved check valves must be fitted in the supply pipes.

For further details contact your Local Water Authority.

# Specifications

| Product Code | Working pressure |     | Inlet                               |
|--------------|------------------|-----|-------------------------------------|
|              | Min              | Max |                                     |
| GLR 1/2 C    | 0.2              | 5.0 | 1/2" BSP Threaded Tail              |
| GLR 3/4 C    | 0.2              | 5.0 | 3/4" BSP Threaded Tail              |
| GLR BAS C    | 0.2              | 5.0 | M10 15mm Compression Flexible Tails |
| GLR WMBAS C  | 0.2              | 5.0 | 15mm Compression Threaded Tail      |
| GLR WMBF C   | 0.2              | 5.0 | 15mm Compression Threaded Tail      |

Maximum static pressure- 10.0 bar

### System Requirements:

Gravity fed hot & cold (Equal pressures)

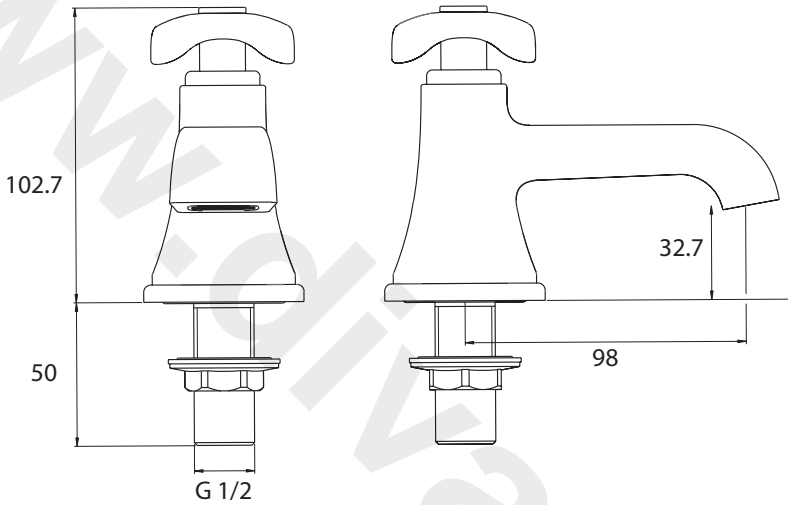
Gravity fed hot & cold (Differential pressure, maximum ratio 5:1)

Unvented systems

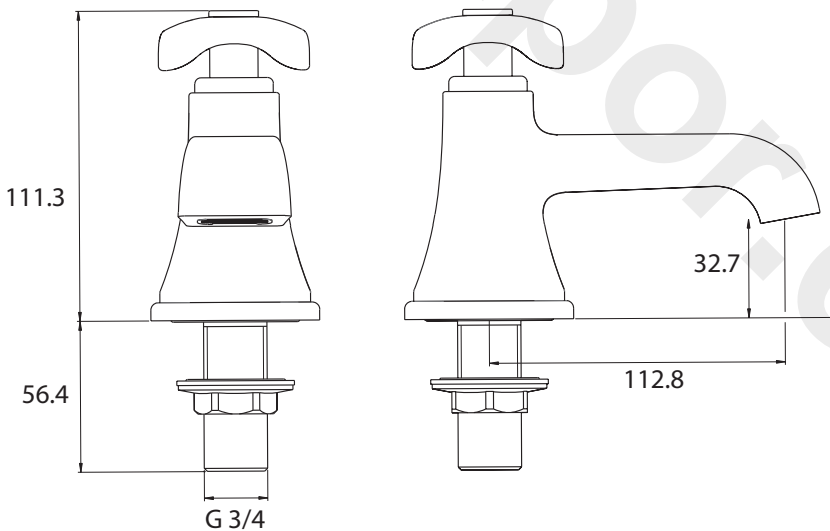
Instantaneous water heater (Combination boiler)

# Dimensions

## Basin Taps



## Bath Taps

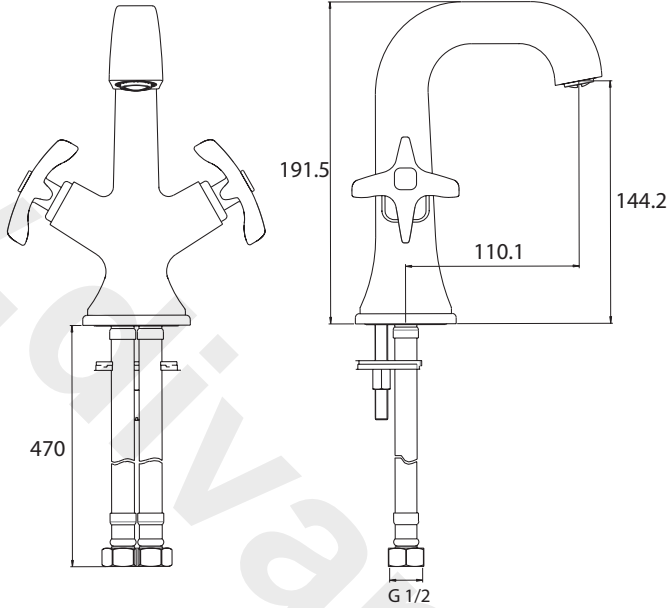


Dimensions are approximate and in millimetres.

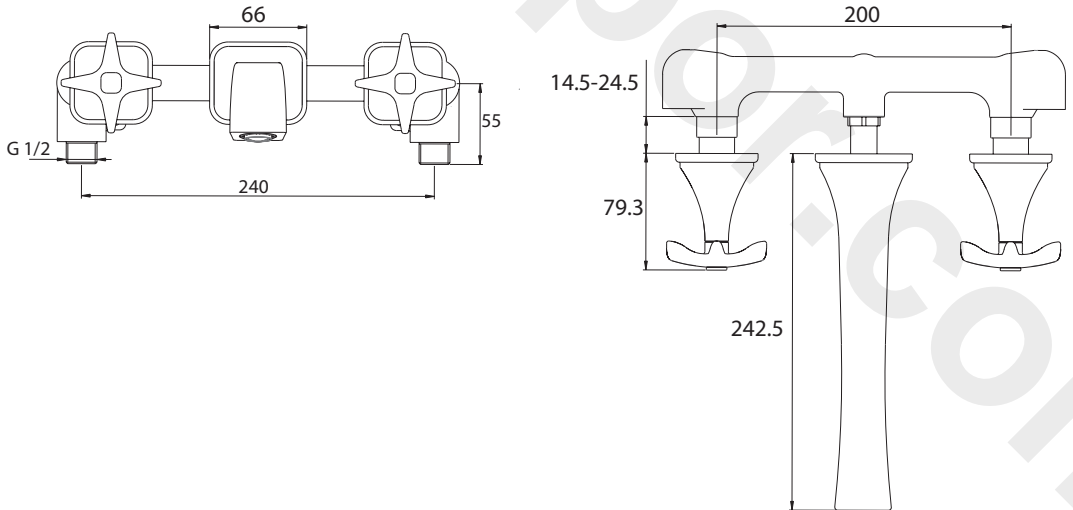
**Need help?** Give us a call on 0844 701 6273 and speak to one of our trained advisers.

# Dimensions Cont.

Basin Mixer



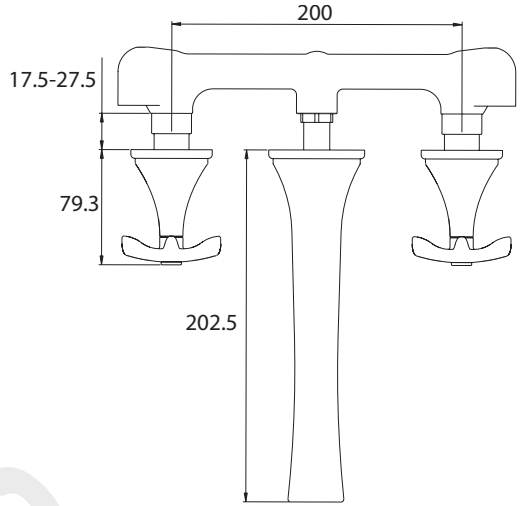
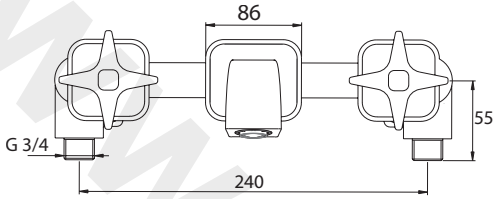
Wall Mounted Basin Mixer



Dimensions are approximate and in millimetres.

## Dimensions Cont.

Wall Mounted Bath Filler



Dimensions are approximate and in millimetres.

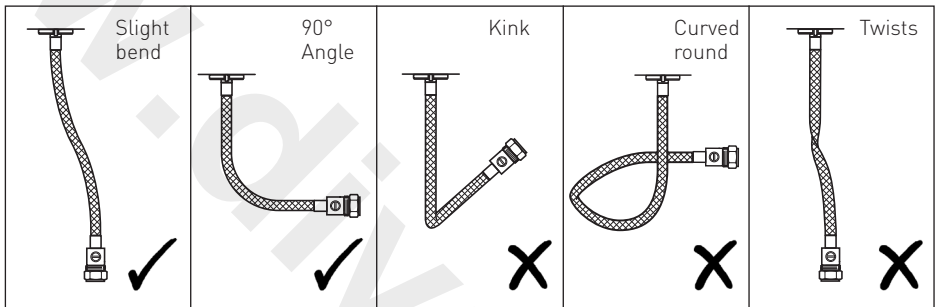
**Need help?** Give us a call on 0844 701 6273 and speak to one of our trained advisers.

# Installation Requirements

## Flexible Connecting Pipes

Care must be taken when connecting the flexible connection pipes to the household pipework to ensure they do not bend sharply and kink or twist.

See below for recommended ways to fit the flexible connecting pipes.



**⚠ Important:** Failure to follow these guidelines may result in poor performance and damage to the flexible connecting pipes.

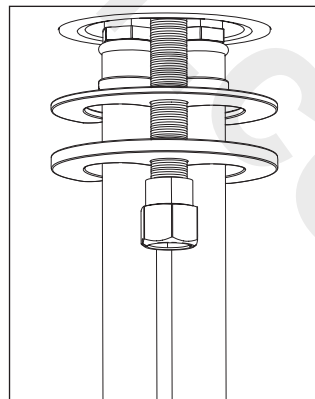
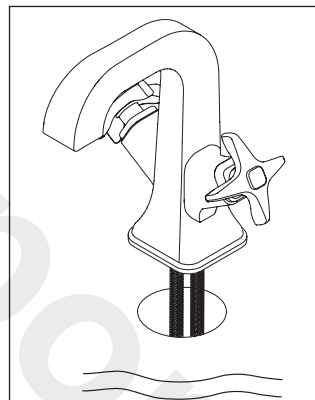
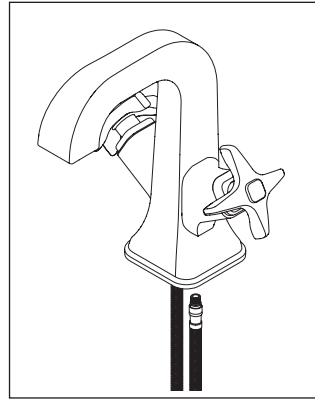
**⚠ Important:** Full access must be made available on installation for future maintenance/ servicing purposes.



# Installation

## Basin Mixer

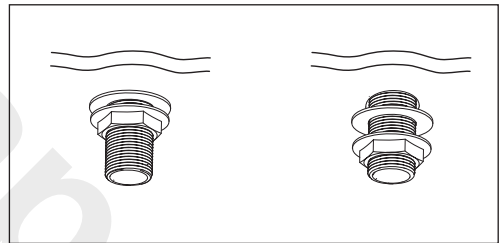
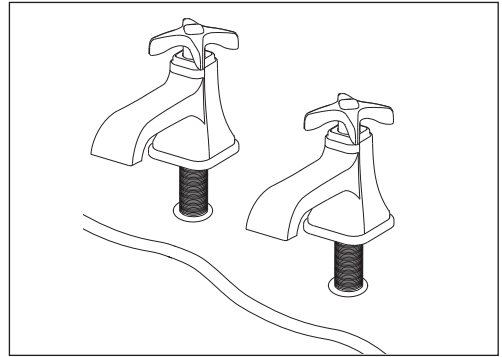
1. Screw the flexi tails into the bottom of the body by **hand only (DO NOT OVERTIGHTEN)**.
2. Feed the flexi tails through the hole in the basin ensuring the washer is fitted between the tap body and fixing surface to ensure a water tight seal.
3. Screw the fixing rod into the bottom of the mixer body. Slide the 'C' shaped rubber washer and 'C' shaped metal washer onto the fixing rod up to the underside of the basin.
4. To secure the mixer body in place tighten the fixing nut onto the fixing rod until they are fully tightened against the 'C' shaped metal washer. The fixing nut can be tightened with a suitable spanner.
5. Connect the flexi tails to the hot and cold water supplies.
6. Turn on both water supplies, operate both handles, letting the water flow for a few minutes to flush through the system.
7. Check all joints and connections for any leaks.



# Installation Cont.

## Basin / Bath Taps

1. Slide the plinths onto the threaded tails of the taps. Fit the tap bodies to the basin/ bath ensuring that the washers are fitted between the plinths and the basin / bath to create a water tight seal.
2. Secure the tap bodies to the basin / bath using the washers and metal backnuts. Tighten the backnuts onto the threaded tails. A suitable spanner may be required to fully tighten the backnuts.
3. Connect the hot and cold water supplies to the threaded tails.
4. Turn on both water supplies and operate the handles, letting the water flow for a few minutes.
6. Check all joints and connections for any leaks.



# Installation Cont.

## Wall Mounted Basin Mixer / Bath Filler

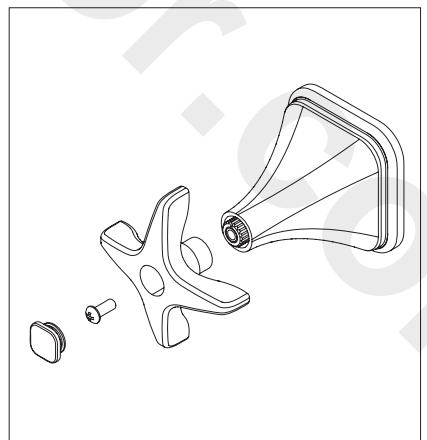
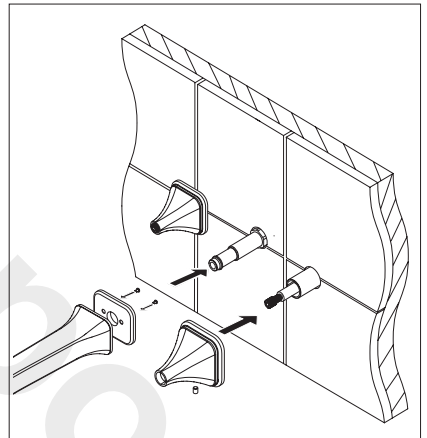
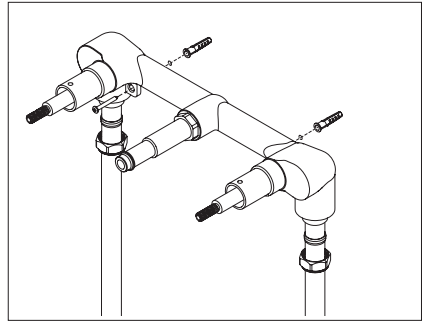
1. Decide on the final position of the basin mixer/ bath filler. Install suitable battons into the wall cavity if required to support the tap body.
2. Plumb the hot and cold water supply pipes to the required position.
3. Secure mixer body using the screws and wall plugs supplied.
4. Attach the supply pipework to the hot and cold inlets (hot on the left and cold on the right when viewed from the front) ensuring the olive is fitted to the copper pipe work. Tighten the compression nut to secure the pipework and create a water tight seal.

**Note:** Before finishing the wall surface turn on both water supplies to check for any leaking connections.

5. Finish the wall surface.

**Note,** it is important that a sufficient amount of the spout connecting tube and valves are left exposed to allow the spout and valve shrouds to connect.

6. Push the valve shroud onto the valve and secure by tightening the grub screw.
7. Attach the spout to the concealing plinth using the screws supplied.
8. Push the spout onto the spout connecting tube ensuring the o-rings on the spout connecting tube have located inside the spout. Tighten the grub screw to secure the spout in place.
9. Push the handles onto the valve spindles and tighten the grub screws.
10. Turn on both water supplies and operate the handles letting the water flow for a few minutes to flush the system.



# Maintenance

## General Cleaning

Your product has a high quality finish and should be treated with care to preserve the visible surfaces. All surfaces will wear if not cleaned correctly, the only safe way to clean your mixer is to wipe with a soft damp cloth. Stains can be removed using washing up liquid. All bath cleaning powders and liquids will damage the surface of your fitting, even the non-scratch cleaners.

**Note:** Never use abrasive detergents or disinfectants or those containing alcohol, hydrochloric acid or phosphoric acid.

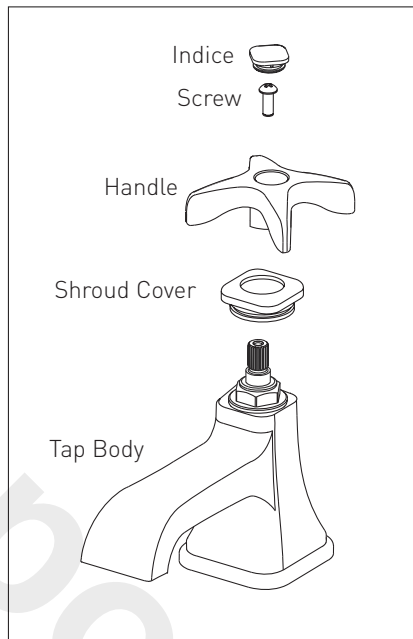
## Cleaning

Before carrying out any maintenance, turn off both water supplies or close any isolating valves.

Remove the indice to reveal the concealed screw. Remove the screw and the handle. Remove the shroud cover. Using a suitable socket remove the valve. Wash the valve with clean running water and make sure that any debris has been removed.

If necessary replace the valve using parts supplied by Bristan.

Lightly grease the seal (only use silicone grease), replace the valve, shroud cover and the handle. Tighten the screw and push fit the indice.



**⚠ Important:** Tighten the valve with the correct size socket and apply appropriate force/torque.  
**Do not overtighten.**

# Troubleshooting

| Symptom                  | Cause   | Remedy  |
|--------------------------|---|---|
| No flow or low flow rate | Partially closed isolation valve.   | Open isolation valve.   |
|                          | Instantaneous water heater cycles on and off as flow rate or pressure is too low.                                 | Increase water flow rate or pressure through system to meet required minimum working pressure of tap. |
|                          | Head of water is below the minimum distance required.   | Refer to 'Specifications' on page 4.  |
|                          | Hot or cold water being drawn off elsewhere causing pressure changes or instantaneous boiler temperature changes. | Do not use other water outlets when using the taps.   |
|                          | Airlock or partial blockage in the supply pipework.   | Flush through pipework to ensure removal of debris and any airlocks.                                  |
| Water dripping from taps | This is normal for a short time after using the taps.   | This is caused by capillary action, the build up of water in the tap body.                            |
|                          | If water continues to drip, possible build up of debris/ lime-scale in ceramic disc valves.                       | Remove valves and clean, refer to 'Maintenance' section on page 12 before removing the valve.         |
| Taps do not turn on      | Closed isolation valve.   | Open isolation valve.   |
|                          | Water supplies to the tap turned off.   | Turn on both water supplies to the tap.   |

# Guarantee

At Bristan, we want to make things as easy as possible for our customers. That's why we design products that are easy to fit and use, and that are quality tested to make sure they won't let you down. It's also why we offer solid guarantees on all products, effective from the date of purchase, to give you peace of mind.

Bristan's Bathroom Taps are covered by a **5 year guarantee**. This also includes **5 year labour cover** \* (subject to registration) which means that, in the unlikely event that there is a problem in the first year after purchase, we'll send one of our expert engineers to fix it.

\*Labour is provided by an approved Bristan Care engineer or appointed representative. The guarantee only applies to products with a manufacturing fault. There will be a call out charge for any incidents where no fault has been found with the product, or if the issue is due to poor installation or maintenance.

## Guarantee Terms and Conditions

This guarantee is in addition to your statutory and other legal rights and is subject to the following conditions:

- The product was purchased within the United Kingdom or Republic of Ireland.
- The guarantee applies solely to the original purchaser with proof of purchase.
- The installation must allow ready access to all products for the purpose of inspection, maintenance or replacement.

- Repair under this guarantee does not extend the original expiry date. The guarantee on any replacement parts or product ends at the original expiry date.

- Any part found to be defective during the guarantee period will be replaced without charge, providing that the product has been installed in accordance with the instructions given in this guide and used as the manufacturer intended.

The guarantee does not cover:

- Damage or defects caused by;
  - General wear and tear (including special non-chrome finishes; components such as filters, seals, 'O' rings and washers)
  - Incorrect installation
  - Repair using non-Bristan parts
  - Accidental or wilful misuse
  - Corrosion and the use of inappropriate cleaning products
  - System debris including the build up of limescale (which can be controlled through regular servicing and maintenance)
- Compensation for loss of use of the product or consequential loss of any kind.

In the interests of continuous product improvement, Bristan reserves the right to alter product specifications without notice.

The Bristan Product Guarantee does not affect your statutory rights as a consumer.

# Guarantee & Service Policy

- **Need help?**

If this product does not function correctly when first used, contact **Bristan Care Customer Service on 0844 701 6273** where our expert team of advisors will be able to offer you help and advice.

- **Problems during the guarantee period**

In the unlikely event that you encounter any problems with the product during the guarantee period, contact **Bristan Care Customer Service on 0844 701 6273** with your proof of purchase and we will work to resolve the problem quickly.

### **Bristan Care Customer Support**

Bristan customers also benefit from the support of Bristan Care, our comprehensive customer support package which offers:

#### **Technical support hotline**

(Tel: 0844 701 6273) with access to fully trained advisers who can offer installation advice, talk you through quick maintenance checks, or recommend the best course of action to fix any problems with a product.

#### **Expert advice**

Find easy to follow 'how to' video guides and technical FAQs online at [www.bristan.com](http://www.bristan.com). Our guides take you step-by-step through many product installations and you can find plenty of easy guides to quick product fixes and servicing.

#### **Spare parts**

We hold thousands of spares and we keep them for discontinued products for over seven years. Spares can easily be ordered online at [www.bristan.com](http://www.bristan.com) and are dispatched the same day.

#### **Expert plumbing engineers**

If we can't solve the problem over the 'phone or with a spare part, then we'll send out one of our Bristan Care engineers to take a look. Bristan Care engineers provide free support for products that are within guarantee, but are also available to service products that are out of guarantee for a small charge. For details, please call **Bristan Care Customer Service on 0844 701 6273**.

|                                 |
|---------------------------------|
| Part Numbers: <b>GLR BOOK 1</b> |
| Issue: D1                       |

# BRISTAN

Bristan Group Ltd.  
Birch Coppice Business Park  
Dordon  
Tamworth  
Staffordshire  
B78 1SG  
Web: [www.bristan.com](http://www.bristan.com)  
Email: [enquire@bristan.com](mailto:enquire@bristan.com)

A Masco Company

## Useful contact details:

Customer Service:

**0844 7016273**

Customer Service Email:

**[Customercare@bristan.com](mailto:Customercare@bristan.com)**

Customer Service Fax:

**0844 7016275**

Reception:

**0844 7016274**

Join us on...

