

## FLUTE

### Exposed Sequential Chrome Shower Valve with Adjustable Riser Kit

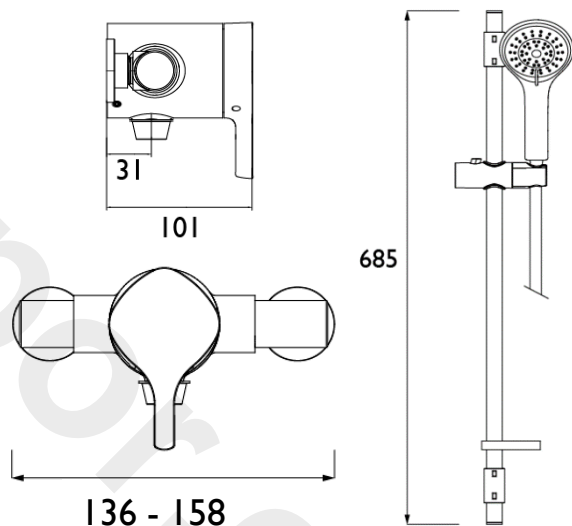
#### Product Specification

Product Code:	FLT SQSHXAR C
Finish:	Chrome
Connection Inlet:	15mm Compression
Inlet Centres:	Adjustable from 136mm – 158mm
Maximum Temperature:	Pre-set 42oC
Pressure Range:	Min 0.1 Bar, Max 5.0 Bar



#### Additional Information

- Chrome plated to BS EN 248:2002
- Supplied with 2 x 8 l/min. flow regulators
- Adjustable inlet centres mean you can use existing pipework with centres measuring anything between 136mm and 158mm.
- Rub clean handset
- Factory fitted regulators means this is a water saving shower
- Matching taps available



#### Flow Rates (litres per minute)

System Pressure	0.1bar	0.2bar	0.5bar	1bar	2bar	3bar	5bar
With Flow Regulators	---	---	3.7	5.4	7.7	9.3	13.2
Without Flow Regulators	0.8	2.3	3.8	5.9	8.3	10.3	13.3

**Technical Advice:** For further information please call 0844 7016273 or email [customercare@bristan.com](mailto:customercare@bristan.com)

**Guarantee:** 5 years covering manufacturing faults.