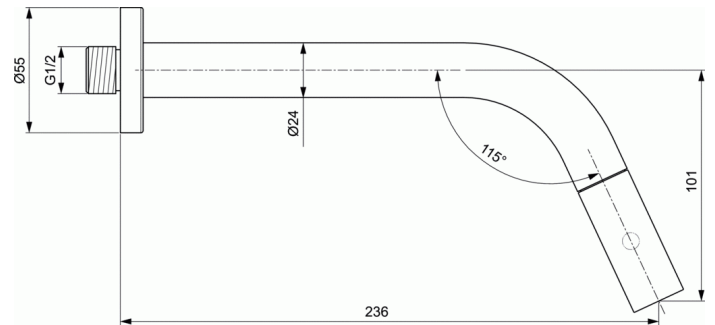


## IDEALSTREAM

### Exposed pillar tap with tubular spout J236



#### Exposed pillar tap with tubular spout J236

Pillar tap for cold or premixed water

Tubular spout J236

Volume control on the front end of the tubular spout

Hidden aerator Cache M21.5x1

G½" Ceramic disc headpart opened and closed with a rotary handle

G½" shank fixation

Flow rate at 3 bar 6 l/min

Comply with EN817

#### FINISHES\*



AA

\* AA = Chrome

#### KEY FEATURES & BENEFITS

