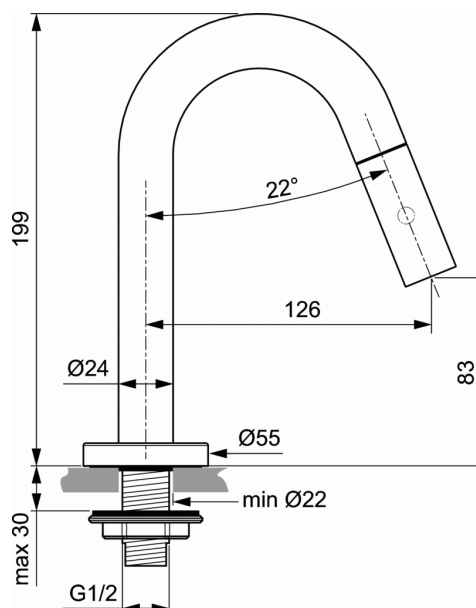


## IDEALSTREAM

### One-hole pillar tap with tubular spout R125



#### One-hole pillar tap with tubular spout R125

Pillar tap for cold or premixed water

Tubular spout R125

Volume control on the front end of the tubular spout

Hidden aerator Cache M21.5x1

G $\frac{1}{2}$ " Ceramic disc headpart opened and closed with a rotary handle

G $\frac{1}{2}$ " shank fixation

Flow rate at 3 bar 6 l/min

Comply with EN817

#### FINISHES\*



AA

\* AA = Chrome

#### KEY FEATURES & BENEFITS

