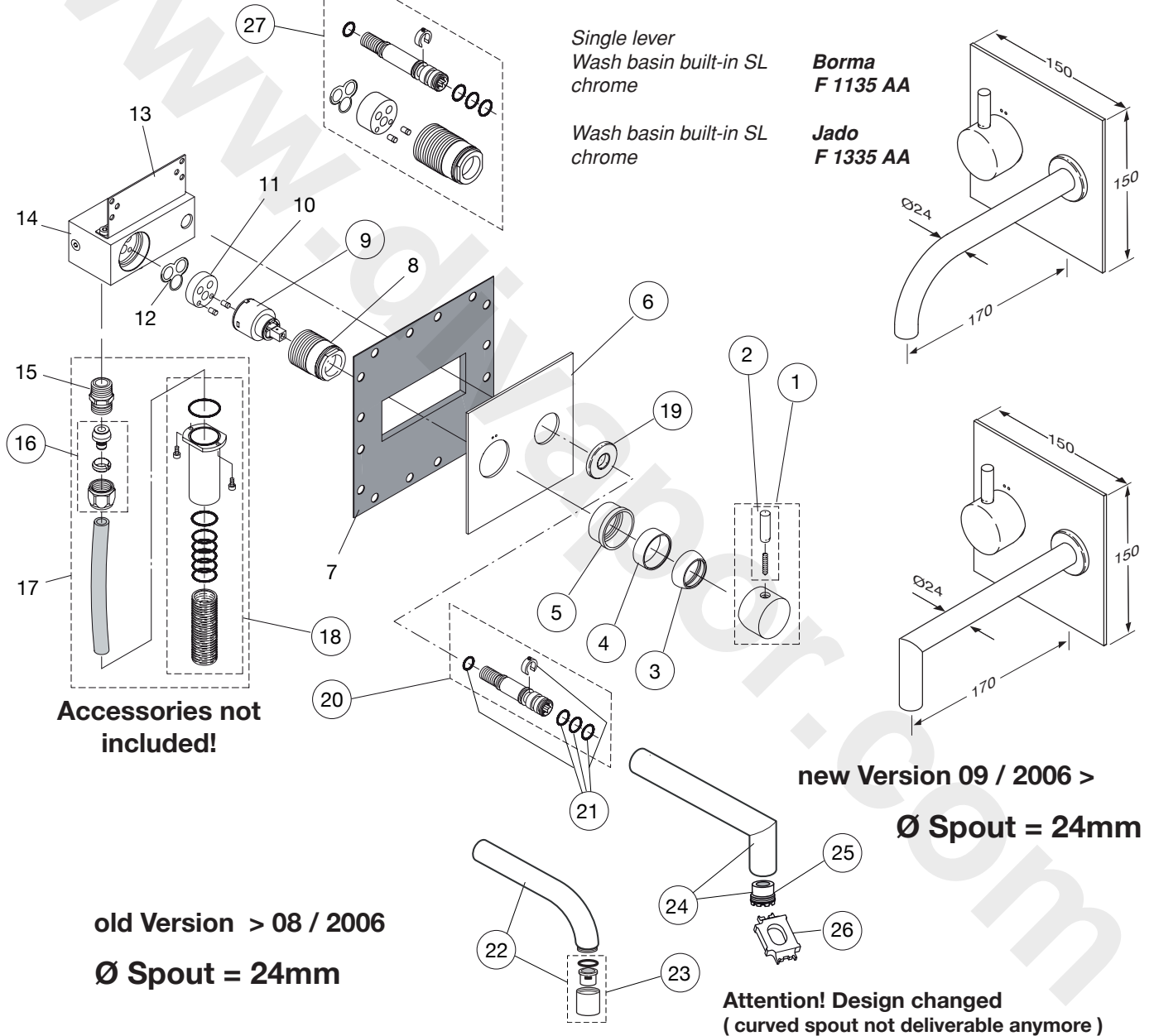


Produced from:

baugleich mit BORMA



Replace XX with the appropriate finish code
 chrome = AA,
 stainless steel look = XJ,

Example Spare part order:
 F 960 256 AA in chrome
 F 960 256 XJ in stainless steel

| Pos. | Description | Part-Number | Qty. | Pos. | Description | Part-Number | Qty. |
|------|---------------------------------|--------------|-------|------|------------------------------------|-------------------------------------|-------|
| 1 | Handle with Pin with Borma LOGO | F 960 252 XX | 1 pcs | 17 | Accessoires for water supply pipes | | |
| 1 | Handle with Pin with Jado LOGO | F 960 425 XX | 1 pcs | 18 | Access. for corugated pipe | F 960 747 NU | 2 pcs |
| 2 | Pin for handle | F 960 111 XX | 1 pcs | 19 | Escutcheon | F 960 174 XX | 1 pcs |
| 3 | Design cap | F 960 695 XX | 1 pcs | 20 | Connecting set spout Ø24 | F 960 187 NU | 1 pcs |
| 4 | Top ring | F 960 690 XX | 1 pcs | 21 | Repair kit for spout Ø24 | F 960 038 NU | 1 Set |
| 5 | Ring for frontplate | F 960 256 XX | 1 pcs | 22 | Spout with aerator (old) | not deliverable-order Pos.24 | |
| 6 | Front plate 150x150mm | | 1 pcs | 23 | Aerator M22 x 1 | F 960 642 XX | 1 pcs |
| 7 | Rubber membrane | | | 24 | Spout with flow liner (new) | F 960 515 XX | 1 pcs |
| 8 | Fixation ring cartridge | | | 25 | Aerator M21,5 x 1 -A- | A 960 191 NU | 1 pcs |
| 9 | Cartridge with temp.limiter | A 960 567 NU | 1 pcs | 26 | Wrench for aerator | A 960 196 NU | 1 pcs |
| 10 | Pin for fixation | | | 27 | Extension Kit 10mm longer | F 960 807 NU | 1 Set |
| 11 | Adapter | | | | Extension Kit 20mm longer | F 960 260 NU | 1 Set |
| 12 | Sealing element | | | | Extension Kit 30mm longer | F 960 262 NU | 1 Set |
| 13 | Holder | | | | Extension Kit 40mm longer | F 960 263 NU | 1 Set |
| 14 | Body | | | | | | |
| 15 | Nipple | | | | | | |
| 16 | Coupling nut complete | | | | | | |