

# SPECIFICATION SHEET

**COLLECTION:** ELEMENTS

**PRODUCT CODE:** ELA-150S-C/P



**DESCRIPTION:**

Elements Air  
mono kitchen mixer  
single lever  
deck mounted  
with swivel spout  
with water flow aerator  
ceramic cartridge CAR-K35B  
2 x 1/2" nut x 400mm flexipipe connections  
deck mount drill hole diameter 32mm  
minimum operating pressure 1.0 bar MP

**FINISH:**

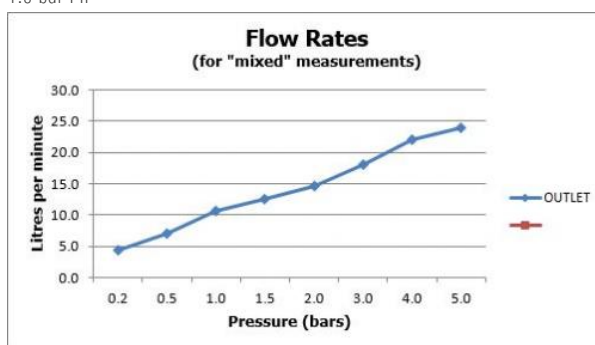
Chrome

**FLOW REGULATOR:**

FR-100/5-PLA

**MINIMUM OPERATING PRESSURE:**

1.0 bar MP



tel: 01934 744466  
email: sales@vado.com  
www.vado.com

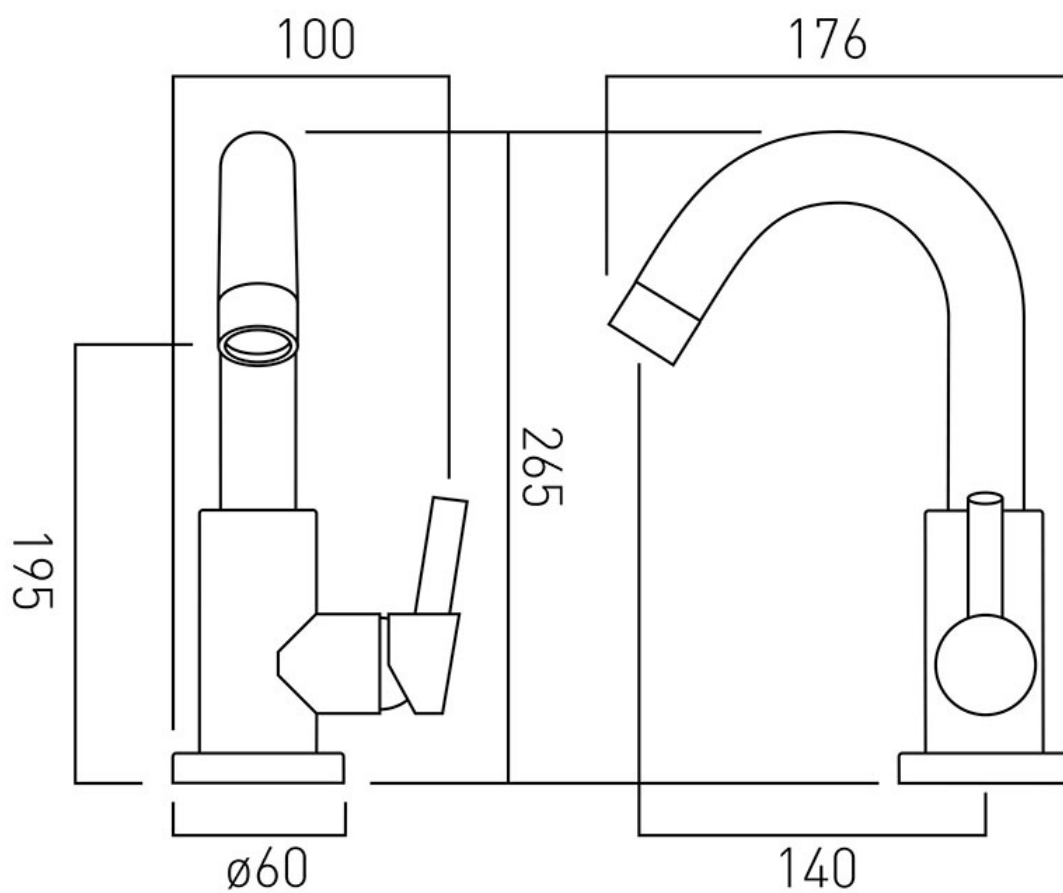
**where inspiration flows**  
taps | showering | accessories



# TECHNICAL DRAWING

**COLLECTION:** ELEMENTS

**PRODUCT CODE:** ELA-150S-C/P



tel: 01934 744466  
email: [sales@vado.com](mailto:sales@vado.com)  
[www.vado.com](http://www.vado.com)

**where inspiration flows**  
taps | showering | accessories

