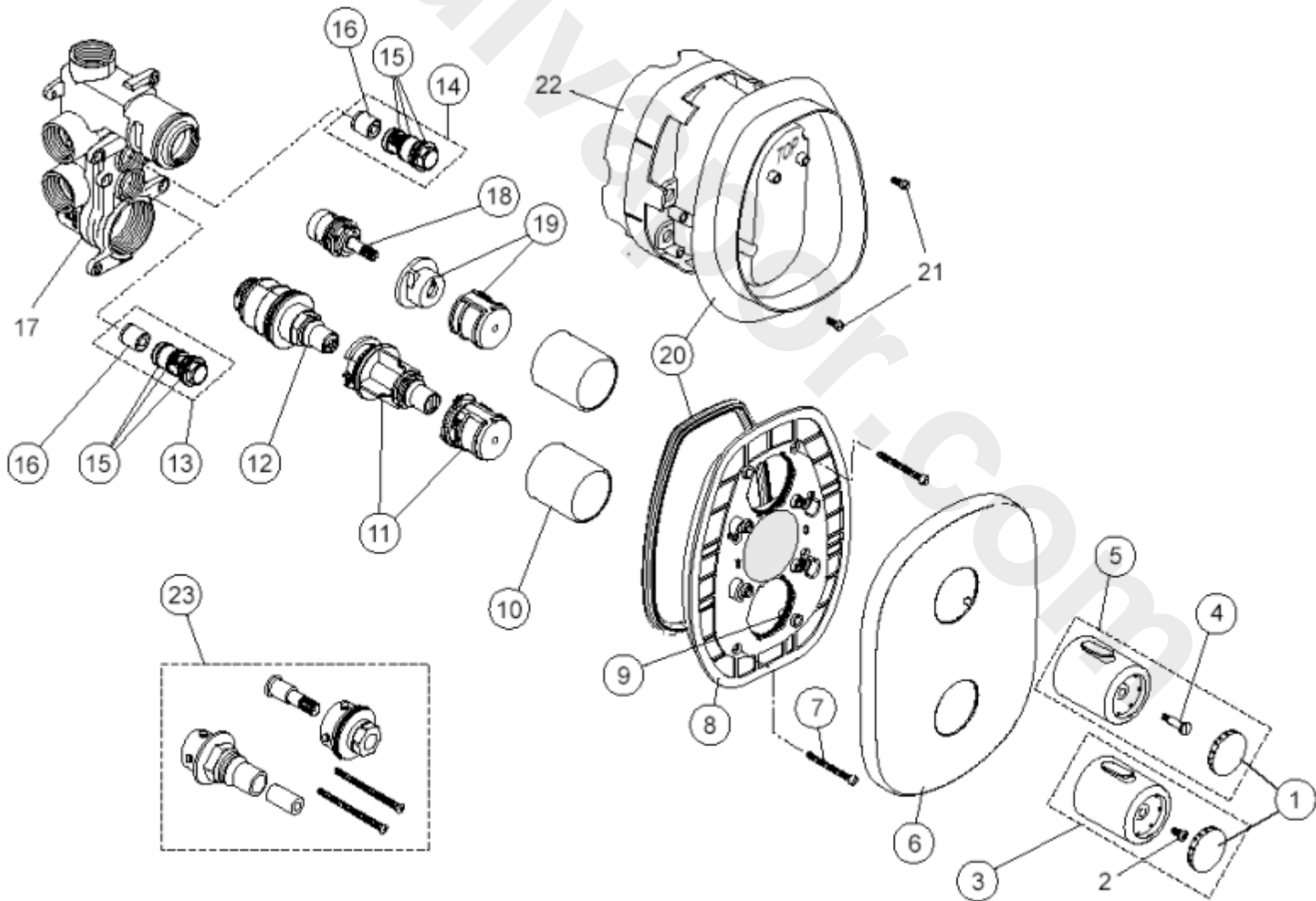
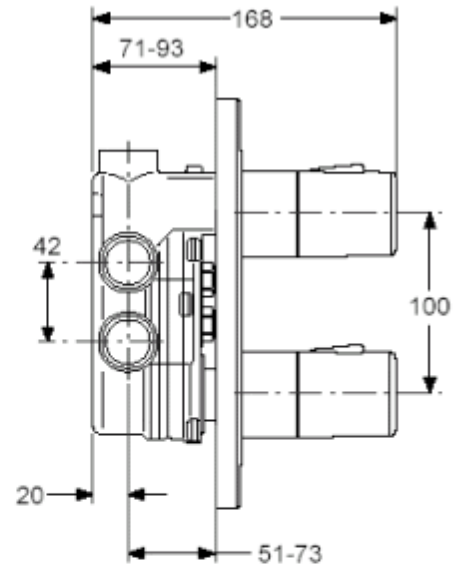
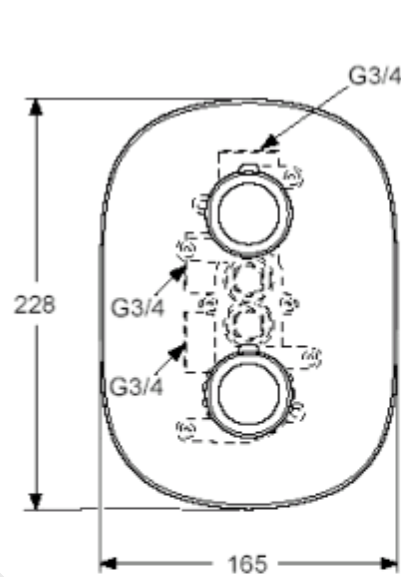


<P>-----

Einzel-Thermostat
chrom **E 6410 AA**



Ref.	Description	Part No.
1	Handle cap	A961494AA
2	Screw	-
3	Temperature handle complete	A961495AA
4	Reprise cartridge screws M4 pair	A962998NU
5	Flow control handle complete	A961496AA
6	Face plate	A961499AA
7	Screw M4 X 45.5 set of three	A961957NU
8	Back plastic cover plate	A963425NU
9	O-Ring Ø 43 x 3	A961623NU
10	Idealtherm cover chrome	A963426AA
11	Temp adjustment carrier and handle ext	A963427NU
12	Wittich 3/4 thermostatic cartridge D 08	S960134NU
13	RV-unit cold 3/4 UK A950597	A960588NU
14	RV-unit hot 3/4 UK A950596	A960589NU
15	Set of o-rings	A961665NU
16	Non return valve OV15	A860415NU
17	Valve body	-
18	3/4 cartridge for 3H side valve low friction	A960462NU
19	Volume control handle carrier	A963432NU
20	Sealing frame	A963510NU
21	Plaster guard screws M4 x 10	-
22	Plaster guard	A923371
23	Idealtherm extension kit (25mm)	A963434NU

-	SHOWER KIT (E6420AA) SPARES	-
a	Wall elbow chrome	E960690AA
b	J/Morrison h/spray chrome low & high press 3F	E6428AA
d	J/Morrison shower kit 3F	E6426AA

www.divapor.com