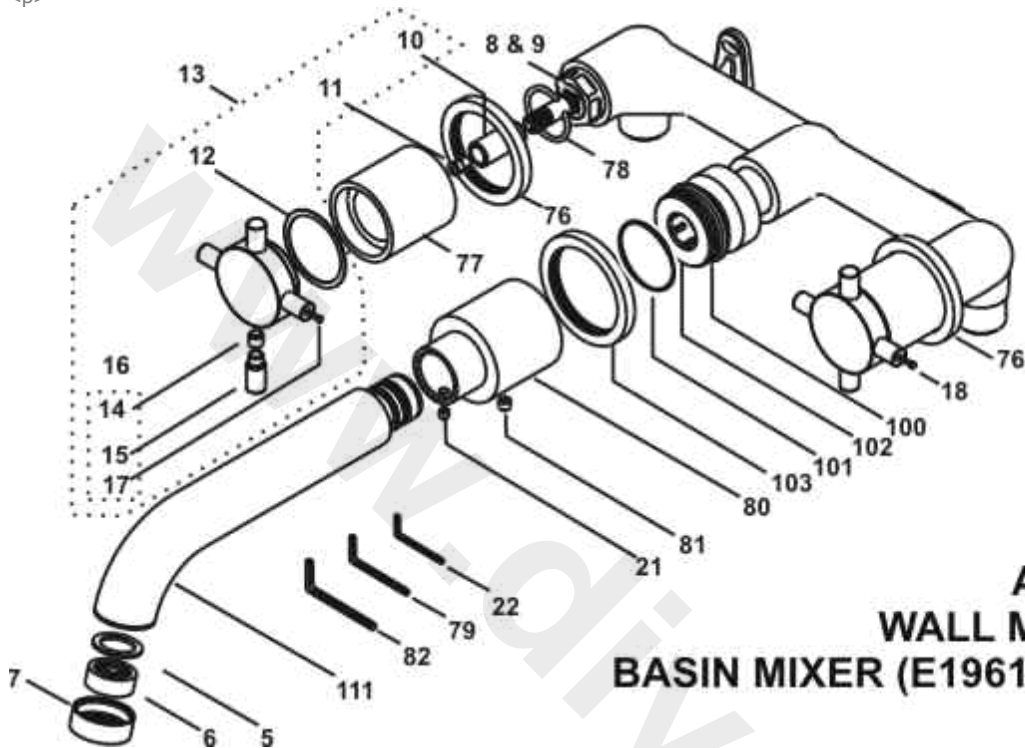


<p>



**Figure 19**  
**ALCHEMY**  
**WALL MOUNTED**  
**BASIN MIXER (E1961 & E1962)**

<b>Ref.</b>	<b>Description</b>	<b>Part No.</b>
5	Rubber washer for flow straightener	-
6	M23 flow straightener	E950655AA
6a	FLOW STRAIGHTENER M24 X 1 & KEY (New from 2007)	A960412NU
6b	Aerator (suitable for post 2007 spouts)	A960386NU
7	M24 flow straightener housing (pre 2007)	E907001AA
8	1/2 SE ceramic disc cartridge - hot (X-head uses 2 of these)	E960583NU
9	1/2 SE ceramic disc cartridge - cold	E960582NU
9a	1/2 SE CERAMIC DISC CARTRIDGES - PAIR ** SPARES **	S960025NU
10	Drive insert (splined)	E9111021411
11	Handle retaining screw	A91831914
12	Handwheel bearing washer	E91370267
13	Cross head handle complete	E950119AA
13a	Lever head handle complete	E950023AA
14	M6 x 6 grub screw	E91830067
15	Blank cross head handle peg	-
16	Cross head handle fixation kit (14, 15, 17, & 18)	E960037NU
17	INDICATOR PIN PACK	S960059NU
21	M4 x 4 grub screw	E91830267
22	2mm A/F hex allen key	E960062NU
76	Side valve escutcheon	E960597AA
77	Valve shield	E907525AA
78	Shield spring ring	A915768
79	Allen key 2.5mm	E908659NU
80	Spout base	E960576AA
81	M5 x 5mm grub screw cup point	B960745NU
82	Allen key (3mm a/f)	E90843467
101	'O'-ring 39.6 x 2.4	E912682NU
102	Spout connector	E91800667
103	Spout escutcheon	E907528AA
111	ALCHEMY BSN MXR WM SPOUT PACK CHROME	E960199AA
111a	Replacement spout from 2007	A955145AA

**NB -- colour/finish options**

Chrome = AA