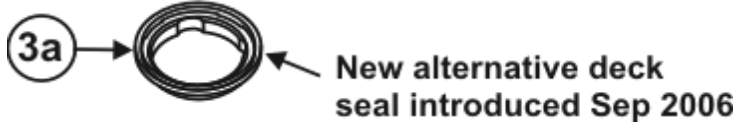
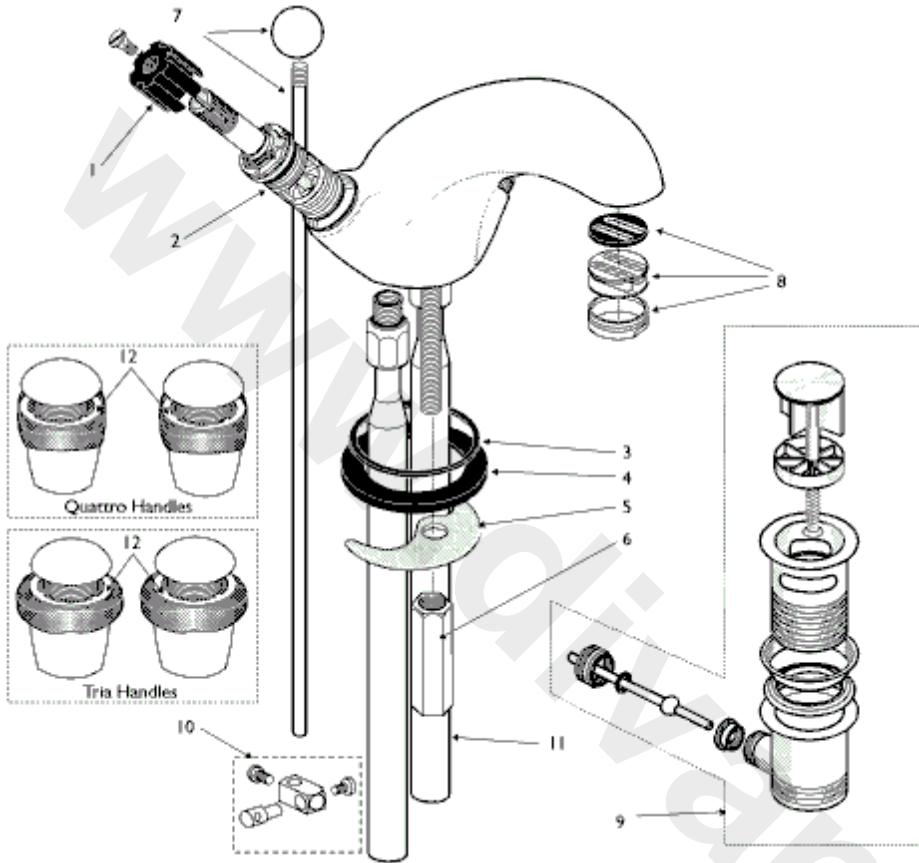


<p>



| Ref. | Description  |
|------|--|
| 1    | Handle carrier                                     |
| 2    | 1/2 SE CERAMIC DISC CARTRIDGES - PAIR ** SPARES ** |
| 2a   | Valve - Hot  |
| 2b   | Valve - Cold                                       |
| 3    | O' ring washer                                     |
| 3a   | CENTRAL SEALING GASKET AD=42.5                     |
| 4    | Fixing kit (3,4,5 & 6)                             |
| 7a   | Pop-up knob  |
| 7c   | Pop-up rod   |
| 8    | Flow straightener                                  |
| 9    | Pop-up waste complete                              |
| 10   | Pop-up rod fixing clip                             |
| 11   | Pair of M12 inlet tails complete with o-rings      |
| 12R  | Index ring RED                                     |
| 12B  | Index ring BLUE                                    |
| 12a  | HANDLE SCREW M8XM4 QUATTRO                         |
| 13   | Aero handles                                       |

| Part No.  |
|-----------|
| A922539   |
| S960025NU |
| E960583NU |
| E960582NU |
| E960461NU |
| A961302NU |
| E950607NU |
| E960545AA |
| E919574-- |
| A962974-- |
| E950612-- |
| --        |
| E960517NU |
| E910031NU |
| E910030NU |
| E960609NU |
| E0725--   |

**NB -- colour/finish options**

Chrome = AA  
 Gold = AZ  
 Mixage = NP