

SPECIFICATION SHEET

COLLECTION: CELSIUS

PRODUCT CODE: DX-17120-CELSQ-CP



DESCRIPTION:

Celsius

- 1 outlet thermostatic shower valve
- Evolve 4 function slide rail shower kit
- Elements wall outlet

thermostatic cartridge V-001C-PLA

flow cartridge C-301-RTC

minimum operating pressure 0.2 bar LP

kit comprises:

CEL-148D/SQ-C/P

EVO-MFSRK-DB-C/P

ELE-OUTLET-C/P

2 x 3/4" female inlets

1 x 3/4" female outlets

includes 3/4" - 1/2" adaptors

inc. bleed valve for system flush on installation

min-max wall mount 70-95mm

optimum installation depth 82mm

tel: 01934 744466

email: sales@vado.com

www.vado.com

FINISH:

Chrome

FLOW REGULATOR:

FR-SHOWER/9-C/P

MINIMUM OPERATING PRESSURE:

0.2 bar LP



where inspiration flows

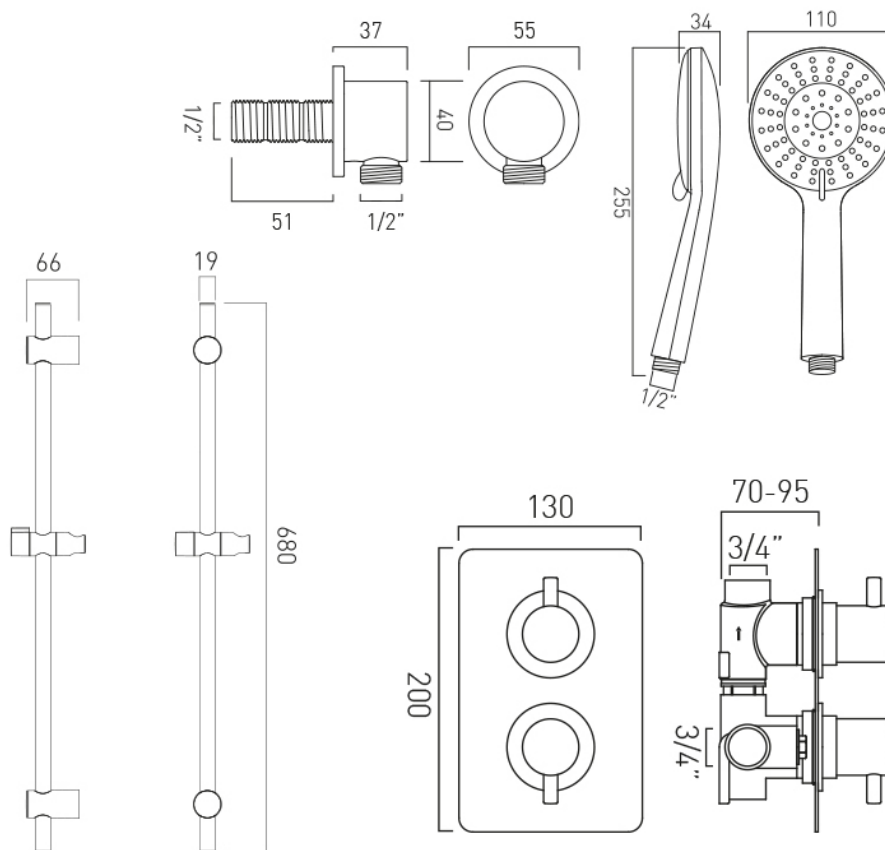
taps | showering | accessories

VADO

TECHNICAL DRAWING

COLLECTION: CELSIUS

PRODUCT CODE: DX-17120-CELSQ-CP



tel: 01934 744466
email: sales@vado.com
www.vado.com

where inspiration flows
taps | showering | accessories

