

DSC SHC3STP C

DESCENT Shower Range Descent Concealed Dual Control Valve with Twin Stopcocks



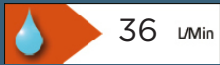
Features:

- This shower valve has been designed to fit in any UK wallcavity and therefore only needs a 35mm deep cavity space
- Fitting depth including plasterboard and tiles is 45mm - 75mm
- Fully serviceable from the front
- Metal back plate and handles for added durability
- Supplied with wall outlet

Product Certifications:



WRAS Cert. Number: 2007908
WRAS Expiry Date: 31/08/2025



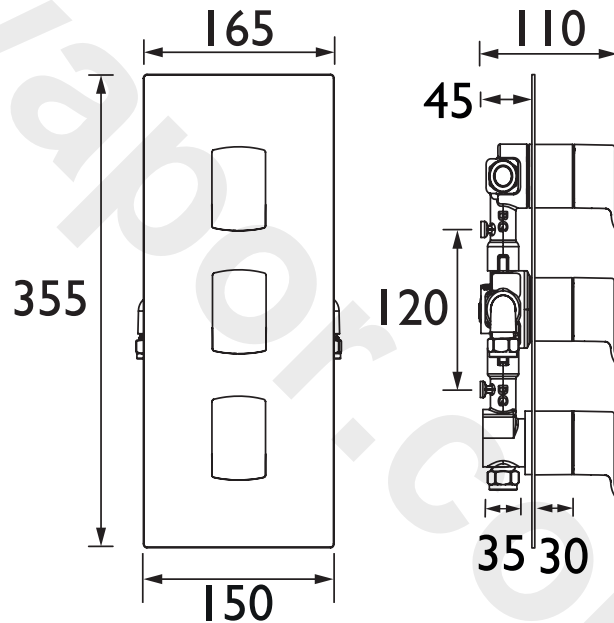
For more products, visit our website:
<http://www.bristan.com>



Specification

Finish/Colour:	Chrome
Main Construction Material:	Brass
No of Controls:	3
Shower Type:	Recessed Dual Control
Shower Head Type:	None
Valve/Cartridge Type:	Thermostatic & 3/4" Ceramic Disc Valve
Minimum Dynamic Pressure:	0.2 bar
Maximum Dynamic Pressure:	5.0 bar
Maximum Static Pressure: (bar)	10
Maximum Hot Water Supply Temperature °C:	65
Pre-set Outlet Temperature °C:	42
Plumbing System Suitability:	Suitable for all plumbing systems
Connection Inlet:	15mm Compression
Connection Outlet:	15mm Compression
Isolation Valve Included:	No
Check Valve Included:	Yes

Dimensions (measurements in mm)



Centres

Flow Rates (l/min)

System Pressure (bar)	0.2	0.5	1	2	3	5
Outlet 1	7.7	14.2	20.7	29.3	35.9	46.3
Outlet 2	7.3	14	20.8	29.4	36	46.5

TECHNICAL
DATA
SHEET



BRISTAN

D5