

Wall valve clockwise closing 1/2"

CL.1

36 607 705



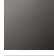

- rosette 60 x 60 mm
- without marking
- head part with cut-to-length spindle and sleeve



Codes & standards

Fits CL.1

Fits CL.1

| | | |
|---|-----------------------|---------------|
|  | Brushed Platinum | 36 607 705-06 |
|  | Chrome | 36 607 705-00 |
|  | Dark Chrome | 36 607 705-19 |
|  | Brushed Dark Platinum | 36 607 705-99 |

Required miscellaneous



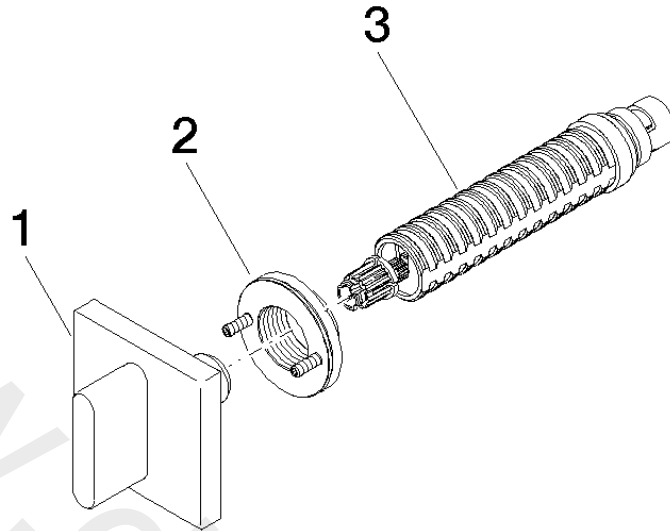
- Wall valve 1/2"** 35 607 970 90
- min. recess depth 105 mm
 - max. recess depth 150 mm

36 607 705

mm [inches]



36 607 705



Spare parts list

| No. | Item Number | Name | Quantity used | Delivery time |
|-----|--------------------|--------|---------------|---------------|
| 1 | 90 20 70 051 01-06 | handle | 1 | 10 |
| 2 | 90 21 02 108 00 90 | disc | 1 | 2 |
| 3 | 90 90 03 143 00 90 | top | 1 | 2 |