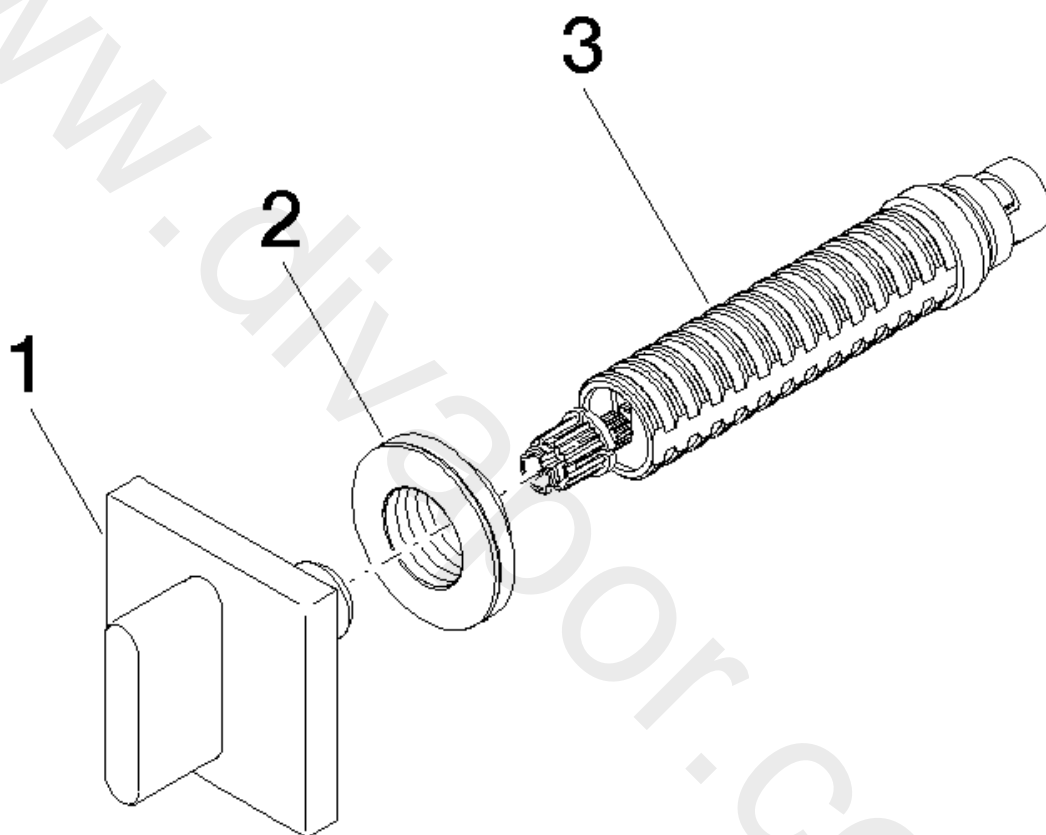


Shower - CL.1

Wall valve clockwise closing 1/2"

Article number: 36 607 705-06



### Spare parts list

Position	Quantity used	Item Number	Spare part	Delivery time
1	1	90 20 70 051 01-06	handle	10
2	1	09 21 02 108 90	disc	60
3	1	90 90 03 143 00 90	top	2



Shower - CL.1

Wall valve clockwise closing 1/2"

Article number: 36 607 705-06

[www.divapor.com](http://www.divapor.com)