




Three-hole basin mixer without pop-up waste

CL.1

ST 010 101 5705



- 160 mm projection
- fixed spout
- rectangular spray pattern with 40 individual jets
- height of mixer 108 mm
- height up to aerator 94 mm
- hole diameter valve 32 mm
- hole diameter spout 35 mm
- rosette 60 x 47 mm
- 2x screw-in M 10 x 1 pressure hose, leak-tested
- max. flow 4 l/min
- lead-free

| | | |
|--|-----------------------|--------------------|
|  | Brushed Dark Platinum | ST 010 101 5705-99 |
|  | Chrome | ST 010 101 5705-00 |
|  | Brushed Platinum | ST 010 101 5705-06 |

Individual components of this set

You need the following components for this set

1x 13 714 705-99



1x 20 004 716-99



www.divapor.com

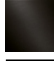
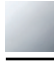
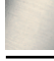

ST 010 101 5705



- 160 mm projection
- fixed spout
- rectangular spray pattern with 40 individual jets
- height of mixer 108 mm
- height up to aerator 94 mm
- hole diameter 35 mm
- 2x screw-in M 10 x 1 pressure hose, leak-tested
- 1/2" connection
- max. flow 4 l/min
- lead-free

Codes & standards

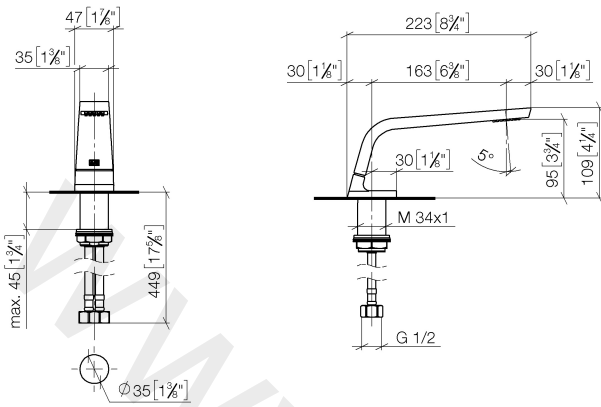
- NSF/ANSI 372

| | | |
|--|-----------------------|---------------|
|  | Brushed Dark Platinum | 13 714 705-99 |
|  | Chrome | 13 714 705-00 |
|  | Brushed Platinum | 13 714 705-06 |
|  | Dark Chrome | 13 714 705-19 |

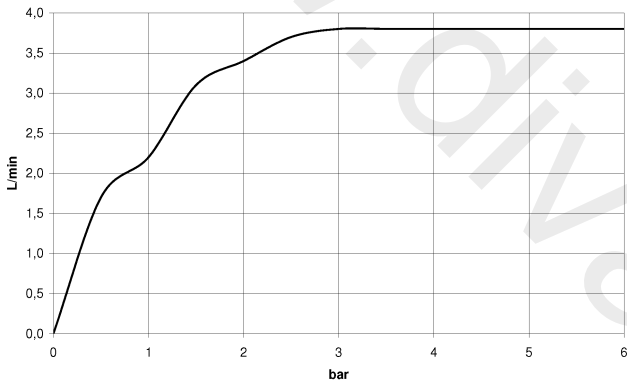
www.divapor.com

ST 010 101 5705

mm [inches]

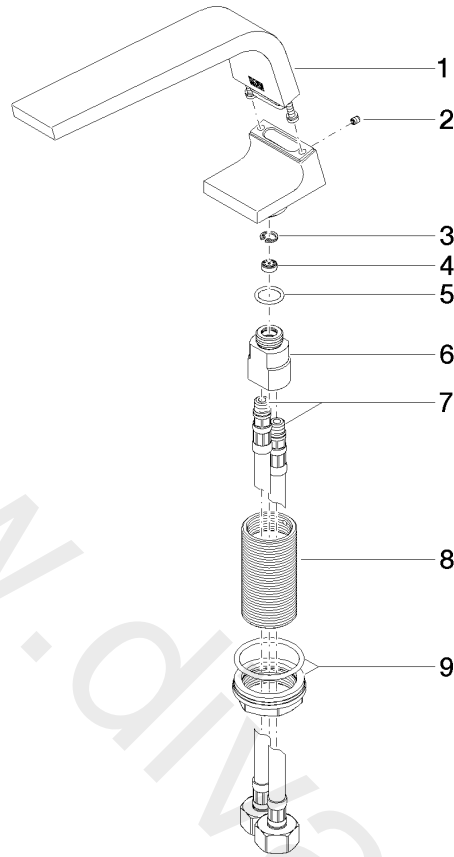


Flow rate chart



ST 010 101 5705

Parts for other finishes can be found here: [Chrome](#)



Spare parts list

| No. | Item Number | Name | Quantity used | Delivery time |
|-----|--------------------|--------------|---------------|---------------|
| 1 | 90 11 70 002 00-99 | spout | 1 | 30 |
| 2 | 09 31 11 044 90 | pin | 1 | 2 |
| 3 | 09 16 01 016 90 | ring | 1 | 2 |
| 4 | 09 23 01 034 90 | flow reducer | 1 | 2 |
| 5 | 09 14 10 130 90 | seal | 1 | 2 |
| 6 | 09 11 10 055 10 90 | connection | 1 | 2 |
| 7 | 04 30 04 019 00 90 | hose | 2 | 2 |
| 8 | 09 30 01 208 90 | connection | 1 | 2 |
| 9 | 04 23 10 044 06 90 | fixing set | 1 | 2 |

Three-hole basin mixer without pop-up waste

CL.1

ST 010 101 5705

- hole diameter 32 mm
- rosette 60 x 47 mm
- with cold marking


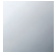


Codes & standards

- NSF/ANSI 372



Fits CL.1

Fits: CL.1, CYO

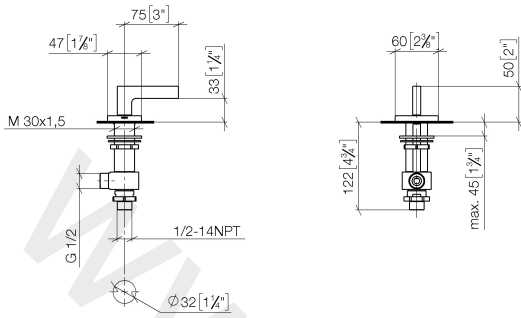
| | | |
|--|-------------------------------|---------------|
|  | Brushed Dark Platinum | 20 004 716-99 |
|  | Chrome | 20 004 716-00 |
|  | Brushed Platinum | 20 004 716-06 |
|  | Brushed Durabross (23kt Gold) | 20 004 716-28 |

www.divapor.com

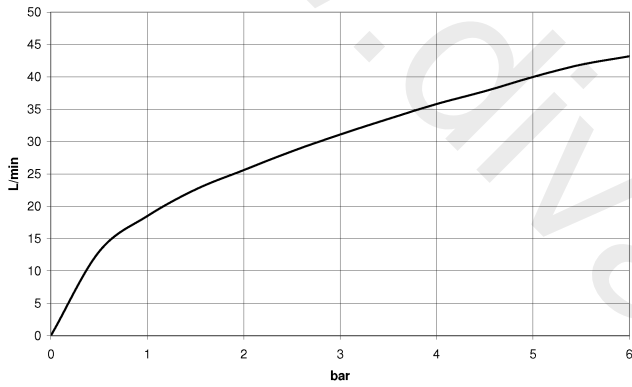
www.divapor.com

ST 010 101 5705

mm [inches]

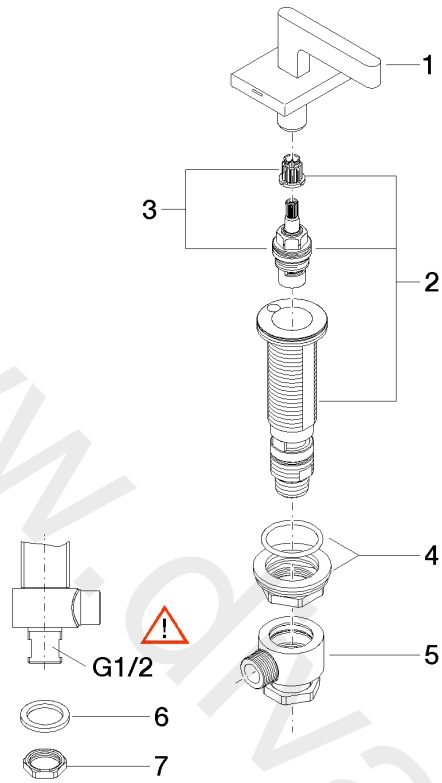


Flow rate chart



ST 010 101 5705

Parts for other finishes can be found here: [Chrome](#)



Spare parts list

| No. | Item Number | Name | Quantity used | Delivery time |
|-----|--------------------|-----------------|---------------|---------------|
| 1 | 90 20 70 057 03-99 | handle (cold) | 1 | 30 |
| 2 | 04 17 11 058 52 90 | side panel | 1 | 2 |
| 3 | 90 90 03 152 00 90 | top | 1 | 2 |
| 4 | 04 23 10 032 78 90 | fixing set | 1 | 2 |
| 5 | 04 17 11 023 10 90 | distributor | 1 | 2 |
| 6 | 09 30 11 059 90 | disc | 1 | 2 |
| 7 | 09 23 10 012 90 | nut | 1 | 2 |