

ST 010 105 1782



- 200 mm projection
 - fixed spout
 - rectangular, air-enriched flow
 - height of mixer 321 mm
 - height up to aerator 190 mm
 - hole diameter 35 mm
 - 2x screw-in M 10 x 1 pressure hose, leak-tested
 - 1/2" connection
 - max. flow 5.7 l/min
 - lead-free
 - automatic hygiene flush
 - suitable for thermal disinfection
 - adjustable follow-up time
 - high-frequency sensors with self-calibration
 - magnetic valve
 - 100-240 V AC / 12 V DC, 50-60 Hz, 18 W power supply unit, incl. country-specific adapter set
- Cannot be combined with basins in conducting materials (e.g. steel, river stone).
Cannot be combined with basins that have a closing drain.**
- ATTENTION: Separate terms and conditions for electronic articles are applicable.**

	Brushed Platinum	ST 010 105 1782-06
	Chrome	ST 010 105 1782-00
	Platinum	ST 010 105 1782-08
	Dark Chrome	ST 010 105 1782-19
	Brushed Durabross (23kt Gold)	ST 010 105 1782-28
	Brushed Champagne (22kt Gold)	ST 010 105 1782-46
	Champagne (22kt Gold)	ST 010 105 1782-47
	Brushed Dark Platinum	ST 010 105 1782-99

Individual components of this set

You need the following components for this set



1x 42 766 970 90



1x 13 716 782-06

www.divapor.com

ST 010 105 1782



Fits: IMO, LULU, MADISON, MEM, TARA, CL.1, LISSÉ, VAIA, META, SERIES-VARIOUS, CYO

- automatic hygiene flush
 - suitable for thermal disinfection
 - adjustable follow-up time
 - high-frequency sensors with self-calibration
 - magnetic valve
 - 100-240 V AC / 12 V DC, 50-60 Hz, 18 W power supply unit, incl. country-specific adapter set
- Cannot be combined with basins in conducting materials (e.g. steel, river stone).
Cannot be combined with basins that have a closing drain.**
ATTENTION: Separate terms and conditions for electronic articles are applicable.

Cannot be combined with basins in conducting materials (e.g. steel, river stone).

Cannot be combined with basins that have a closing drain.

ATTENTION: Separate terms and conditions for electronic articles are applicable.

Required miscellaneous



eSET Touchfree Basin mixer without temperature setting for combining with free-standing fittings

35 742 970 90

Required miscellaneous



eSET Touchfree Basin mixer without temperature setting for combining with wall-mounted fittings

35 743 970 90

- min. recess depth 90 mm
- max. recess depth 125 mm

Recommended miscellaneous

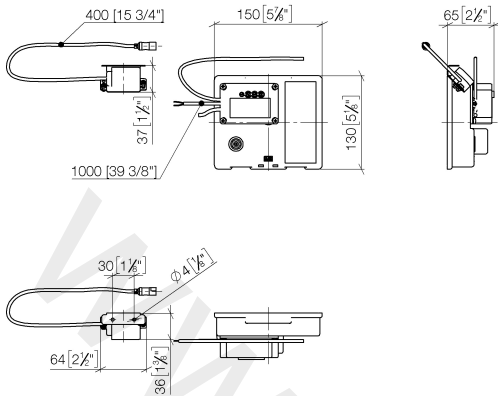
Extension for Touchfree 500 mm

12 765 970 90

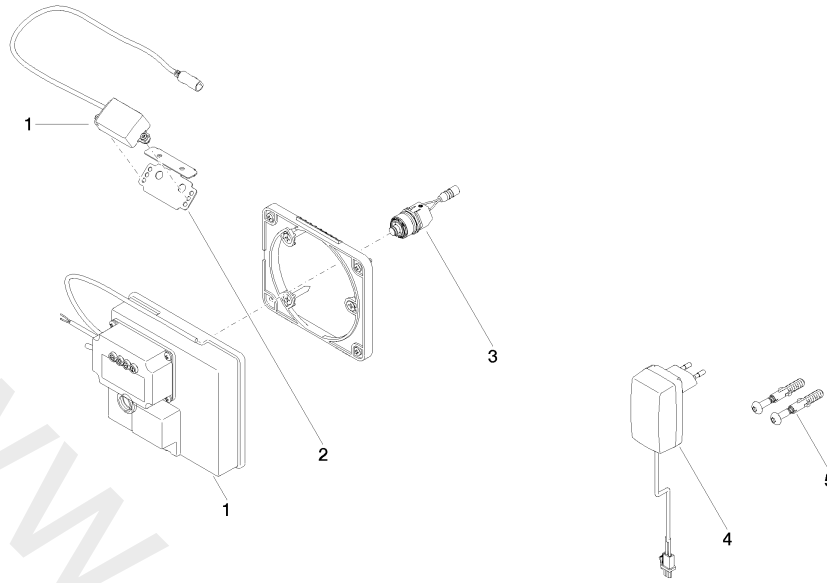


ST 010 105 1782

mm [inches]



ST 010 105 1782



Spare parts list

No.	Item Number	Name	Quantity used	Delivery time
1	90 10 01 177 00 90	electronic accessories	1	2
2	90 17 20 199 00 90	holder	1	2
3	04 30 50 079 00 90	valve	1	2
4	04 10 01 246 00 90	electronic accessories	1	2
5	04 30 31 024 01 90	fixing set	1	2

ST 010 105 1782



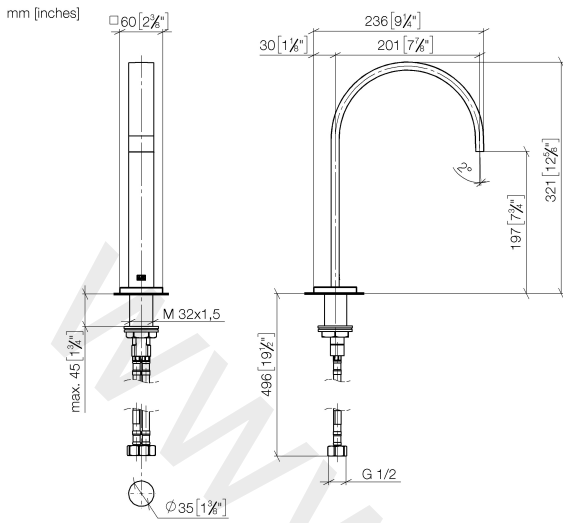
- 200 mm projection
- fixed spout
- rectangular, air-enriched flow
- height of mixer 321 mm
- height up to aerator 190 mm
- hole diameter 35 mm
- rosette 60 x 60 mm
- 2x screw-in M 10 x 1 pressure hose, leak-tested
- 1/2" connection
- max. flow 5.7 l/min
- lead-free

	Brushed Platinum	13 716 782-06
	Chrome	13 716 782-00
	Platinum	13 716 782-08
	Dark Chrome	13 716 782-19
	Brushed Durabronze (23kt Gold)	13 716 782-28
	Brushed Champagne (22kt Gold)	13 716 782-46
	Champagne (22kt Gold)	13 716 782-47
	Brushed Dark Platinum	13 716 782-99

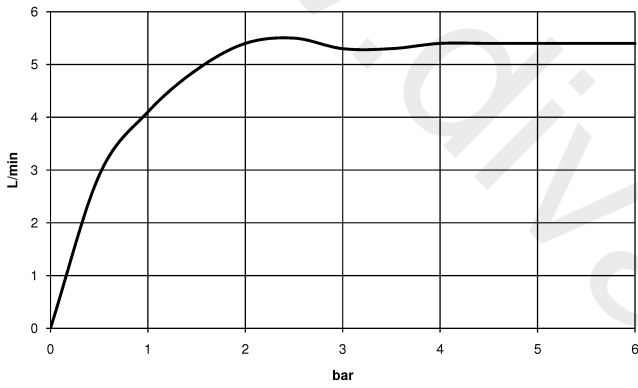
www.divapor.com

www.divapor.com

ST 010 105 1782

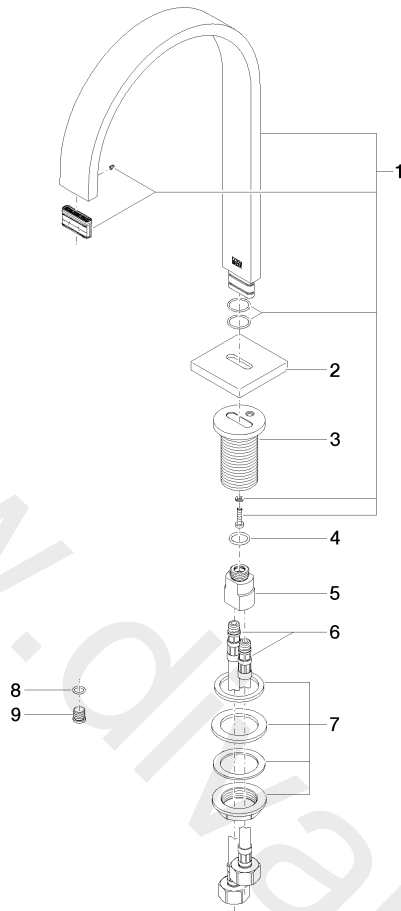


Flow rate chart



ST 010 105 1782

Parts for other finishes can be found here: Chrome



Spare parts list

No.	Item Number	Name	Quantity used	Delivery time
1	90 28 22 155 01-06	spout	1	10
2	09 27 78 034-06	rosette	1	10
3	09 11 10 054 10 90	connection	1	2
4	09 14 10 130 90	seal	1	2
5	09 11 10 055 10 90	connection	1	2
6	04 30 04 019 00 90	hose	2	2
7	04 23 10 009 01 90	fixing set	1	2
8	09 14 10 060 90	seal	1	2
9	09 31 20 065 90	plug	1	2