

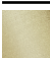

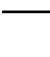



ST 010 107 1811



- 167 mm projection
- fixed spout
- rectangular, air-enriched flow
- height of mixer 198 mm
- height up to aerator 133 mm
- hole diameter 35 mm
- 2x 1/2" x 1/2" high pressure hose
- 1/2" connection
- max. flow 4.5 l/min
- lead-free
- automatic hygiene flush
- suitable for thermal disinfection
- adjustable follow-up time
- high-frequency sensors with self-calibration
- magnetic valve
- temperature setting via thermostat
- 100-240 V AC / 12 V DC, 50-60 Hz, 18 W power supply unit, incl. country-specific adapter set
- Cannot be combined with basins in conducting materials (e.g. steel, river stone).**
- Cannot be combined with basins that have a closing drain.**
- ATTENTION: Separate terms and conditions for electronic articles are applicable.**

	Brushed Platinum	ST 010 107 1811-06
	Chrome	ST 010 107 1811-00
	Brushed Durabronze (23kt Gold)	ST 010 107 1811-28
	Platinum / Brushed Platinum	ST 010 107 1811-36
	Durabronze / Brushed Durabronze (23kt Gold)	ST 010 107 1811-38
	Brushed Dark Platinum	ST 010 107 1811-99

Individual components of this set

You need the following components for this set



1x 42 765 970 90



1x 13 717 811-06

www.divapor.com

ST 010 107 1811



Fits: IMO, LULU, MADISON, MEM, TARA, CL.1, LISSÉ, VAIA, META, SERIES-VARIOUS, CYO

- automatic hygiene flush
 - suitable for thermal disinfection
 - adjustable follow-up time
 - high-frequency sensors with self-calibration
 - magnetic valve
 - temperature setting via thermostat
 - 100-240 V AC / 12 V DC, 50-60 Hz, 18 W power supply unit, incl. country-specific adapter set
- Cannot be combined with basins in conducting materials (e.g. steel, river stone).
Cannot be combined with basins that have a closing drain.**
- ATTENTION: Separate terms and conditions for electronic articles are applicable.**

Cannot be combined with basins in conducting materials (e.g. steel, river stone).

Cannot be combined with basins that have a closing drain.

ATTENTION: Separate terms and conditions for electronic articles are applicable.

Required miscellaneous



eSET Touchfree Basin mixer with temperature setting for combining with free-standing fittings 35 740 970 90

Required miscellaneous



eSET Touchfree Basin mixer with temperature setting for combining with wall-mounted fittings 35 741 970 90

- min. recess depth 90 mm
- max. recess depth 125 mm

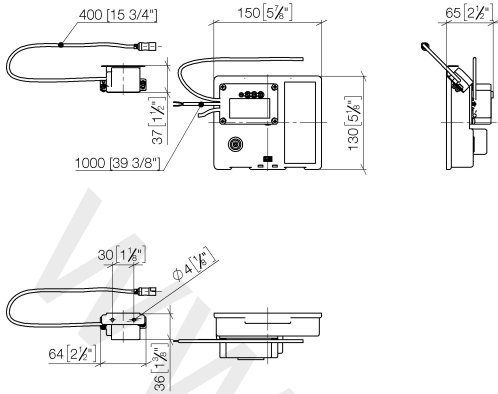
Recommended miscellaneous

Extension for Touchfree 500 mm 12 765 970 90

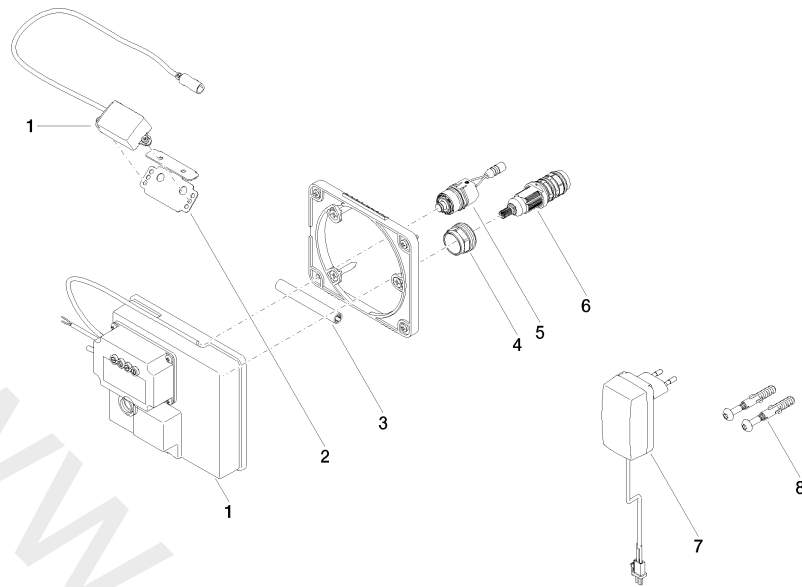


ST 010 107 1811

mm [inches]



ST 010 107 1811







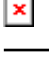

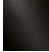
Spare parts list

No.	Item Number	Name	Quantity used	Delivery time
1	90 10 01 177 00 90	electronic accessories	1	2
2	90 17 20 199 00 90	holder	1	2
3	09 23 01 124 90	sleeve	1	2
4	09 23 10 129 90	nut	1	2
5	04 30 50 079 00 90	valve	1	2
6	90 15 02 013 00 90	cartridge	1	2
7	04 10 01 246 00 90	electronic accessories	1	2
8	04 30 31 024 01 90	fixing set	1	2

ST 010 107 1811



- 167 mm projection
- fixed spout
- rectangular, air-enriched flow
- height of mixer 198 mm
- height up to aerator 133 mm
- hole diameter 35 mm
- 2x 1/2" x 1/2" high pressure hose
- max. flow 4.5 l/min
- lead-free

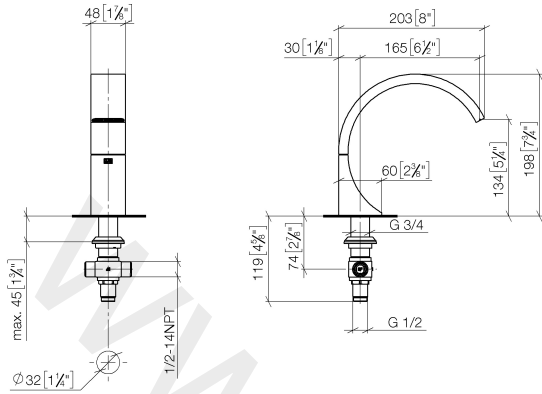
	Brushed Platinum	13 717 811-06
	Chrome	13 717 811-00
	Dark Chrome	13 717 811-19
	Brushed Durabronze (23kt Gold)	13 717 811-28
	Platinum / Brushed Platinum	13 717 811-36
	Durabronze / Brushed Durabronze (23kt Gold)	13 717 811-38
	Brushed Dark Platinum	13 717 811-99

www.divapor.com

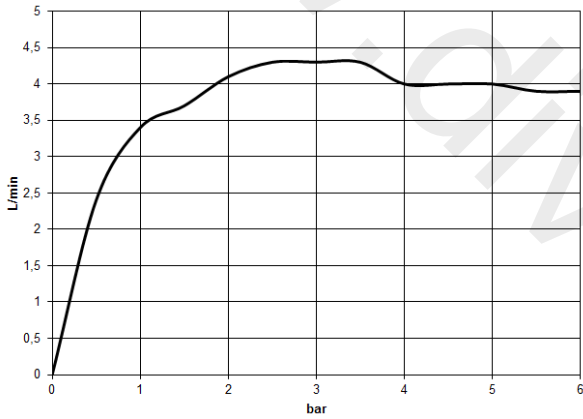
www.divapor.com

ST 010 107 1811

mm [inches]

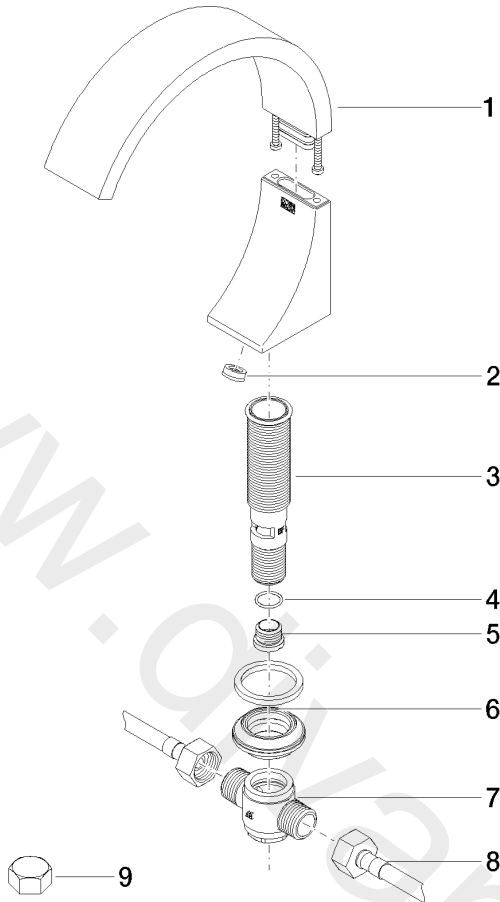


Flow rate chart



ST 010 107 1811

Parts for other finishes can be found here: Chrome



Spare parts list

No.	Item Number	Name	Quantity used	Delivery time
1	90 11 70 013 00-06	spout	1	10
2	09 23 01 163 90	flow reducer	1	2
3	90 30 01 033 00 90	base	1	2
4	09 14 10 017 90	seal	1	2
5	09 24 04 021 10 90	nipple	1	2
6	04 23 10 044 09 90	fixing set	1	2
7	04 17 11 020 10 90	distributor	1	2
8	04 30 04 096 00 90	hose	2	2
9	04 21 02 006 00 92	cap	2	2