

ST 010 205 8980



- 220 mm projection
- fixed spout
- circular, air-enriched flow
- hole diameter 37 mm
- rosette for spout 60 x 60mm
- 1/2" connection
- plug-link mounting
- max. flow 7 l/min
- lead-free
- automatic hygiene flush
- suitable for thermal disinfection
- adjustable follow-up time
- high-frequency sensors with self-calibration
- magnetic valve
- temperature setting via thermostat
- 100-240 V AC / 12 V DC, 50-60 Hz, 18 W power supply unit, incl. country-specific adapter set



Brushed Platinum

ST 010 205 8980-06



Chrome

ST 010 205 8980-00

Individual components of this set

You need the following components for this set



1x

42 765 970 90



1x

13 805 980-06

www.divapor.com

ST 010 205 8980



Fits: IMO, LULU, MADISON, MEM, TARA, CL.1, LISSÉ, VAIA, META, SERIES-VARIOUS, CYO

- automatic hygiene flush
 - suitable for thermal disinfection
 - adjustable follow-up time
 - high-frequency sensors with self-calibration
 - magnetic valve
 - temperature setting via thermostat
 - 100-240 V AC / 12 V DC, 50-60 Hz, 18 W power supply unit, incl. country-specific adapter set
- Cannot be combined with basins in conducting materials (e.g. steel, river stone).
Cannot be combined with basins that have a closing drain.**
- ATTENTION: Separate terms and conditions for electronic articles are applicable.**

Cannot be combined with basins in conducting materials (e.g. steel, river stone).

Cannot be combined with basins that have a closing drain.

ATTENTION: Separate terms and conditions for electronic articles are applicable.

Required miscellaneous



eSET Touchfree Basin mixer with temperature setting for combining with free-standing fittings 35 740 970 90

Required miscellaneous



eSET Touchfree Basin mixer with temperature setting for combining with wall-mounted fittings 35 741 970 90

- min. recess depth 90 mm
- max. recess depth 125 mm

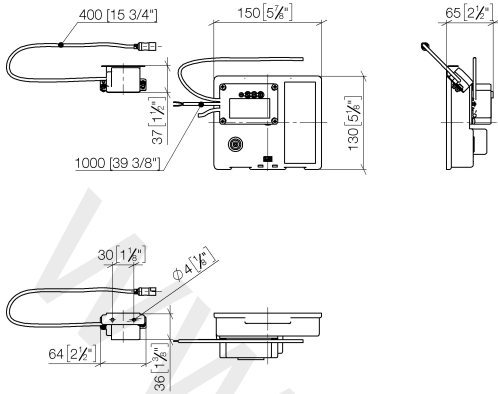
Recommended miscellaneous

Extension for Touchfree 500 mm 12 765 970 90

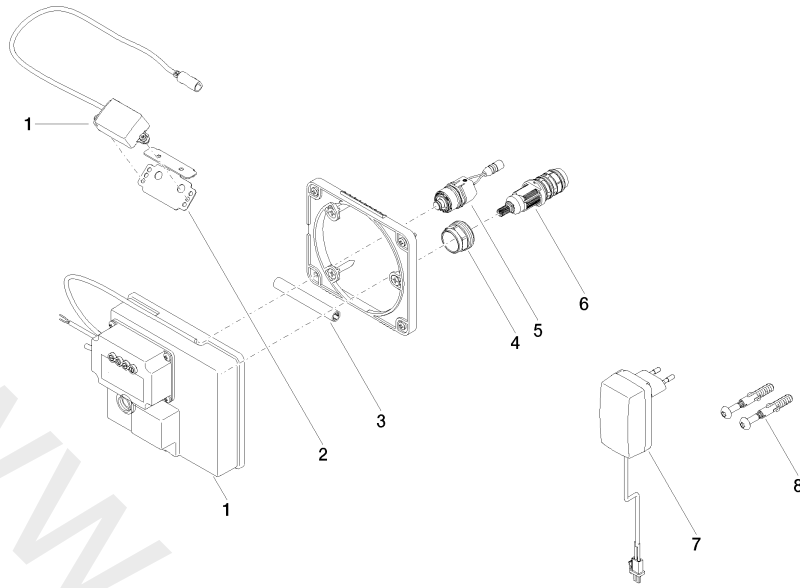


ST 010 205 8980

mm [inches]



ST 010 205 8980



Spare parts list

No.	Item Number	Name	Quantity used	Delivery time
1	90 10 01 177 00 90	electronic accessories	1	2
2	90 17 20 199 00 90	holder	1	2
3	09 23 01 124 90	sleeve	1	2
4	09 23 10 129 90	nut	1	2
5	04 30 50 079 00 90	valve	1	2
6	90 15 02 013 00 90	cartridge	1	2
7	04 10 01 246 00 90	electronic accessories	1	2
8	04 30 31 024 01 90	fixing set	1	2

ST 010 205 8980



- 220 mm projection
- fixed spout
- circular, air-enriched flow
- hole diameter 37 mm
- rosette 60 x 60 mm
- 1/2" connection
- plug-link mounting
- max. flow 7 l/min
- lead-free
- WRAS: 1904065

For Touchfree control please order eSet Touchfree WITH or WITHOUT temperature adjustment

	Brushed Platinum	13 805 980-06
	Chrome	13 805 980-00
	Platinum	13 805 980-08
	Brushed Durabross (23kt Gold)	13 805 980-28
	Brushed Dark Platinum	13 805 980-99

Recommended miscellaneous



Concealed wall elbow

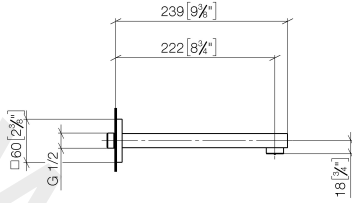
35 085 970 90

- min. recess depth 90 mm
- max. recess depth 163 mm

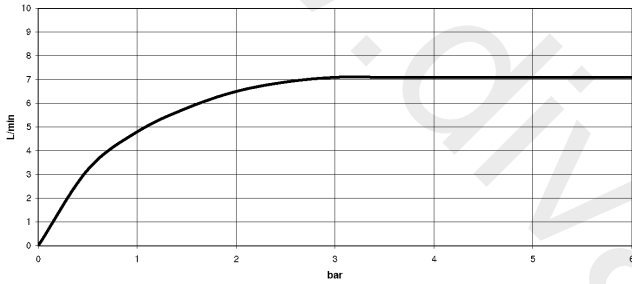
www.divapor.com

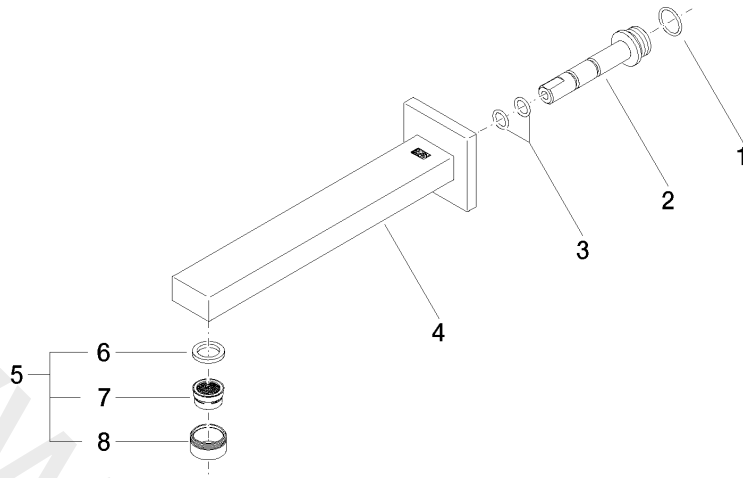
ST 010 205 8980

mm [inches]



Flow rate chart





www.divapor.com