




**Three-hole basin mixer without pop-up waste**

CL.1

ST 010 101 5705



- 160 mm projection
- fixed spout
- rectangular spray pattern with 40 individual jets
- height of mixer 108 mm
- height up to aerator 94 mm
- hole diameter valve 32 mm
- hole diameter spout 35 mm
- rosette 60 x 47 mm
- 2x screw-in M 10 x 1 pressure hose, leak-tested
- max. flow 4 l/min
- lead-free

	Brushed Platinum	ST 010 101 5705-06
	Chrome	ST 010 101 5705-00
	Brushed Dark Platinum	ST 010 101 5705-99

**Individual components of this set**

You need the following components for this set

1x 13 714 705-06



1x 20 004 716-06



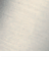



www.divapor.com

ST 010 101 5705

- 160 mm projection
- fixed spout
- rectangular spray pattern with 40 individual jets
- height of mixer 108 mm
- height up to aerator 94 mm
- hole diameter 35 mm
- 2x screw-in M 10 x 1 pressure hose, leak-tested
- 1/2" connection
- max. flow 4 l/min
- lead-free

**Codes & standards**

- NSF/ANSI 372

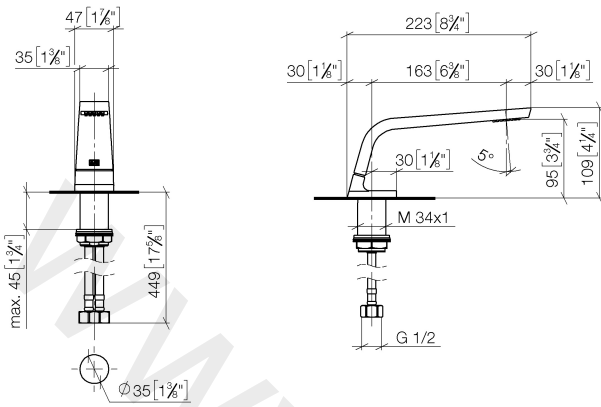
	Brushed Platinum	13 714 705-06
	Chrome	13 714 705-00
	Dark Chrome	13 714 705-19
	Brushed Dark Platinum	13 714 705-99



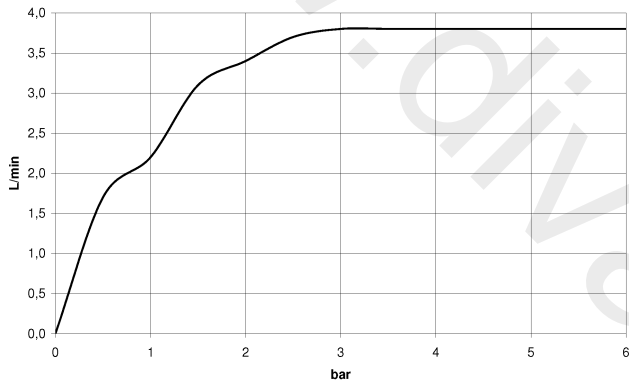
www.divapor.com

ST 010 101 5705

mm [inches]

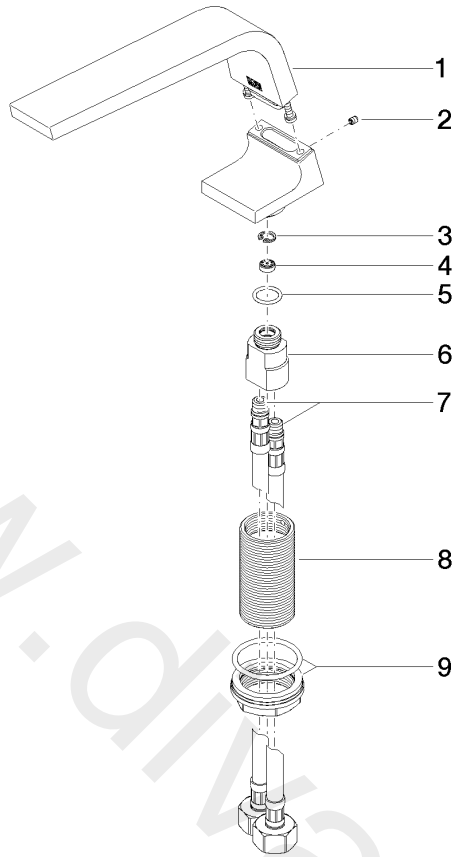


Flow rate chart



ST 010 101 5705

Parts for other finishes can be found here: [Chrome](#)



Spare parts list

No.	Item Number	Name	Quantity used	Delivery time
1	90 11 70 002 00-06	spout	1	10
2	09 31 11 044 90	pin	1	2
3	09 16 01 016 90	ring	1	2
4	09 23 01 034 90	flow reducer	1	2
5	09 14 10 130 90	seal	1	2
6	09 11 10 055 10 90	connection	1	2
7	04 30 04 019 00 90	hose	2	2
8	09 30 01 208 90	connection	1	2
9	04 23 10 044 06 90	fixing set	1	2

Three-hole basin mixer without pop-up waste

CL.1

ST 010 101 5705

- hole diameter 32 mm
- rosette 60 x 47 mm
- with cold marking


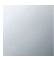


**Codes & standards**

- NSF/ANSI 372



Fits CL.1

Fits: CL.1, CYO

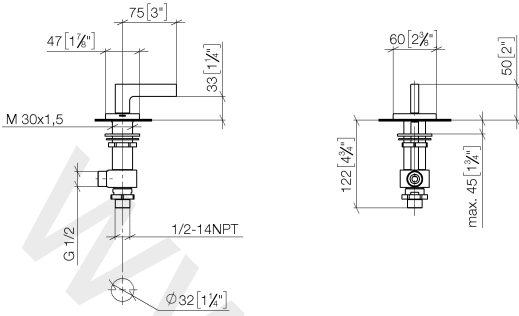
	Brushed Platinum	20 004 716-06
	Chrome	20 004 716-00
	Brushed Durabronze (23kt Gold)	20 004 716-28
	Brushed Dark Platinum	20 004 716-99

www.divapor.com

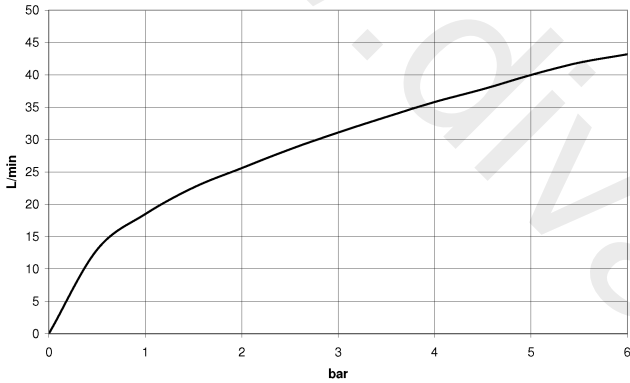
www.divapor.com

ST 010 101 5705

mm [inches]

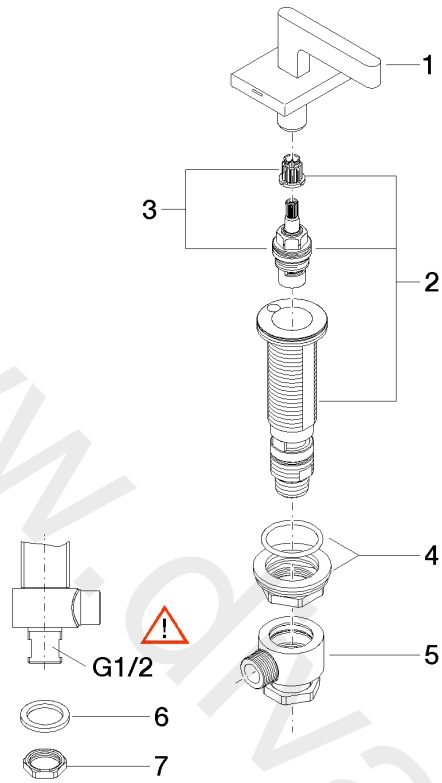


Flow rate chart



ST 010 101 5705

Parts for other finishes can be found here: [Chrome](#)



Spare parts list

No.	Item Number	Name	Quantity used	Delivery time
1	90 20 70 057 03-06	handle ( cold )	1	10
2	04 17 11 058 52 90	side panel	1	2
3	90 90 03 152 00 90	top	1	2
4	04 23 10 032 78 90	fixing set	1	2
5	04 17 11 023 10 90	distributor	1	2
6	09 30 11 059 90	disc	1	2
7	09 23 10 012 90	nut	1	2