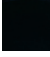





ST 010 100 2845



- 130 mm projection
- fixed spout
- circular, air-enriched flow
- height of mixer 95 mm
- height up to aerator 75 mm
- hole diameter 35 mm
- 2x screw-in M 10 x 1 pressure hose, leak-tested
- 1/2" connection
- max. flow 5.7 l/min
- lead-free
- automatic hygiene flush
- suitable for thermal disinfection
- adjustable follow-up time
- high-frequency sensors with self-calibration
- magnetic valve
- 100-240 V AC / 12 V DC, 50-60 Hz, 18 W power supply unit, incl. country-specific adapter set

	Matte Black	ST 010 100 2845-33
	Chrome	ST 010 100 2845-00
	Dark Chrome	ST 010 100 2845-19
	Brushed Chrome	ST 010 100 2845-93

**Individual components of this set**

You need the following components for this set



1x 42 766 970 90



1x 13 700 845-33

www.divapoor.com

www.divapor.com

ST 010 100 2845



Fits: IMO, LULU, MADISON, MEM, TARA, CL.1, LISSÉ, VAIA, META, SERIES-VARIOUS, CYO

- automatic hygiene flush
  - suitable for thermal disinfection
  - adjustable follow-up time
  - high-frequency sensors with self-calibration
  - magnetic valve
  - 100-240 V AC / 12 V DC, 50-60 Hz, 18 W power supply unit, incl. country-specific adapter set
- Cannot be combined with basins in conducting materials (e.g. steel, river stone).  
Cannot be combined with basins that have a closing drain.**  
**ATTENTION: Separate terms and conditions for electronic articles are applicable.**

Cannot be combined with basins in conducting materials (e.g. steel, river stone).


Cannot be combined with basins that have a closing drain.

ATTENTION: Separate terms and conditions for electronic articles are applicable.

**Required miscellaneous**

**Required miscellaneous**

	<b>eSET Touchfree Basin mixer without temperature setting for combining with free-standing fittings</b>	35 742 970 90
-----------------------------------------------------------------------------------	---------------------------------------------------------------------------------------------------------	---------------

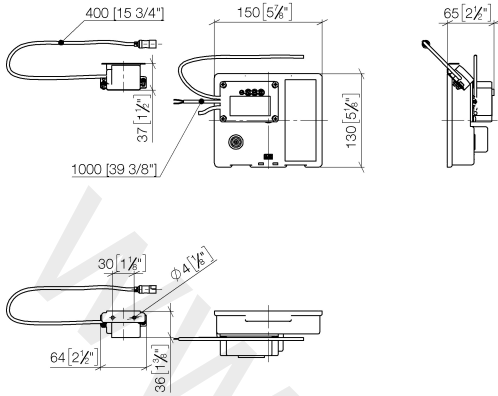
	<b>eSET Touchfree Basin mixer without temperature setting for combining with wall-mounted fittings</b>	35 743 970 90
	<ul style="list-style-type: none"> <li>• min. recess depth 90 mm</li> <li>• max. recess depth 125 mm</li> </ul>	

**Recommended miscellaneous**

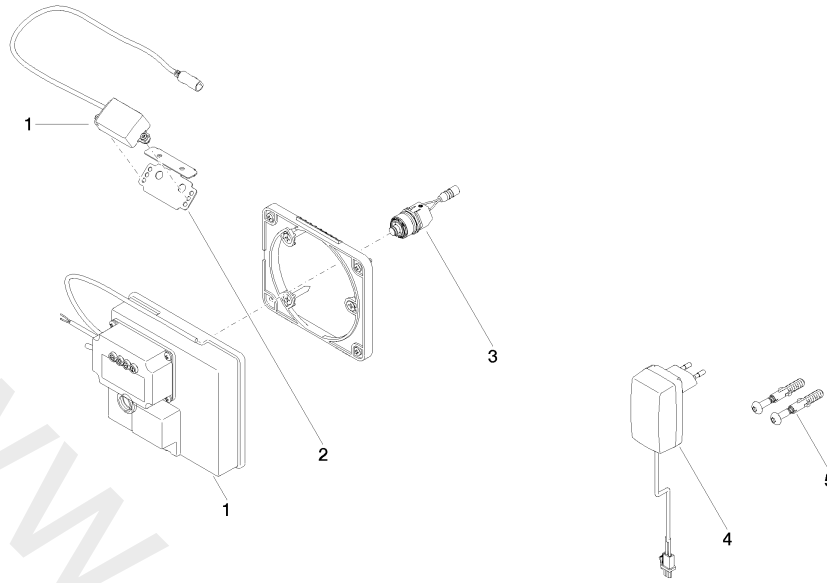
	<b>Extension for Touchfree 500 mm</b>	12 765 970 90
--	---------------------------------------	---------------

ST 010 100 2845

mm [inches]



ST 010 100 2845



Spare parts list

No.	Item Number	Name	Quantity used	Delivery time
1	90 10 01 177 00 90	electronic accessories	1	2
2	90 17 20 199 00 90	holder	1	2
3	04 30 50 079 00 90	valve	1	2
4	04 10 01 246 00 90	electronic accessories	1	2
5	04 30 31 024 01 90	fixing set	1	2

ST 010 100 2845

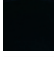
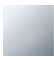




- 130 mm projection
- fixed spout
- circular, air-enriched flow
- height of mixer 95 mm
- height up to aerator 75 mm
- hole diameter 35 mm
- 1/2" connection
- max. flow 5.7 l/min
- lead-free

**Codes & standards**

- NSF/ANSI 372

For Touchfree control please order eSet Touchfree  
WITH or WITHOUT temperature adjustment

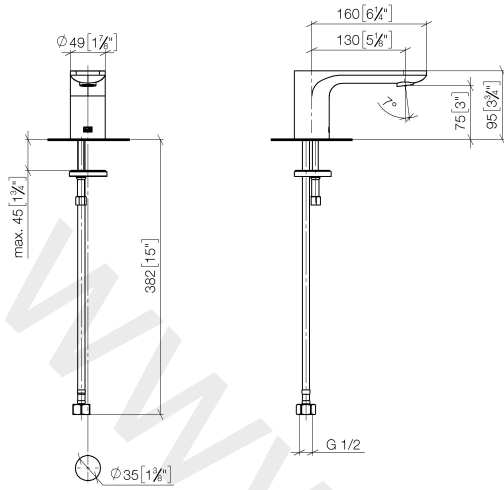
	Matte Black	13 700 845-33
	Chrome	13 700 845-00
	Dark Chrome	13 700 845-19
	Brushed Chrome	13 700 845-93

www.divapor.com

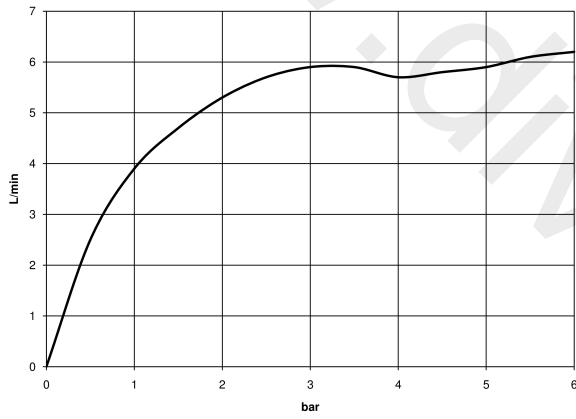
www.divapor.com

ST 010 100 2845

mm [inches]

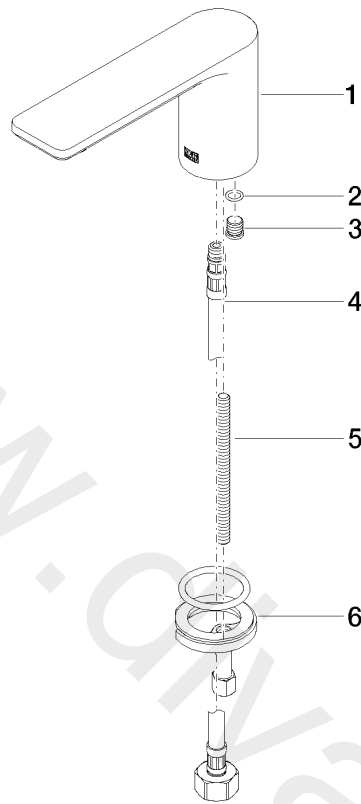


Flow rate chart



ST 010 100 2845

Parts for other finishes can be found here: [Chrome](#)



Spare parts list

No.	Item Number	Name	Quantity used	Delivery time
1	90 11 84 015 00-33	spout	1	30
2	09 14 10 060 90	seal	1	2
3	09 31 20 065 90	plug	1	2
4	04 30 04 019 00 90	hose	1	2
5	09 31 11 012 90	pin	1	2
6	04 30 11 038 75 90	fixing set	1	2