








ST 010 103 4811



- 133 mm projection
 - fixed spout
 - rectangular, air-enriched flow
 - height of mixer 180 mm
 - height up to aerator 128 mm
 - hole diameter 35 mm
 - 2x 1/2" x 1/2" high pressure hose
 - 1/2" connection
 - max. flow 4.5 l/min
 - lead-free
 - automatic hygiene flush
 - suitable for thermal disinfection
 - adjustable follow-up time
 - high-frequency sensors with self-calibration
 - magnetic valve
 - 100-240 V AC / 12 V DC, 50-60 Hz, 18 W power supply unit, incl. country-specific adapter set
- Cannot be combined with basins in conducting materials (e.g. steel, river stone).
Cannot be combined with basins that have a closing drain.**
- ATTENTION: Separate terms and conditions for electronic articles are applicable.**

| | | |
|--|---|--------------------|
|  | Chrome | ST 010 103 4811-00 |
|  | Brushed Platinum | ST 010 103 4811-06 |
|  | Dark Chrome | ST 010 103 4811-19 |
|  | Brushed Durabronze (23kt Gold) | ST 010 103 4811-28 |
|  | Platinum / Brushed Platinum | ST 010 103 4811-36 |
|  | Durabronze / Brushed Durabronze (23kt Gold) | ST 010 103 4811-38 |
|  | Brushed Dark Platinum | ST 010 103 4811-99 |

Individual components of this set

You need the following components for this set



1x 42 766 970 90



1x 13 715 811-00

www.divapor.com

ST 010 103 4811



Fits: IMO, LULU, MADISON, MEM, TARA, CL.1, LISSÉ, VAIA, META, SERIES-VARIOUS, CYO

- automatic hygiene flush
 - suitable for thermal disinfection
 - adjustable follow-up time
 - high-frequency sensors with self-calibration
 - magnetic valve
 - 100-240 V AC / 12 V DC, 50-60 Hz, 18 W power supply unit, incl. country-specific adapter set
- Cannot be combined with basins in conducting materials (e.g. steel, river stone).
Cannot be combined with basins that have a closing drain.**
- ATTENTION: Separate terms and conditions for electronic articles are applicable.**

Cannot be combined with basins in conducting materials (e.g. steel, river stone).


Cannot be combined with basins that have a closing drain.

ATTENTION: Separate terms and conditions for electronic articles are applicable.


Required miscellaneous

Required miscellaneous

| | | |
|---|---|---------------|
|  | eSET Touchfree Basin mixer without temperature setting for combining with free-standing fittings | 35 742 970 90 |
|---|---|---------------|

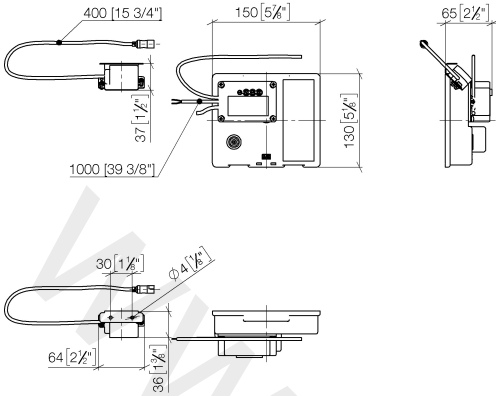
| | | |
|---|---|---------------|
|  | eSET Touchfree Basin mixer without temperature setting for combining with wall-mounted fittings | 35 743 970 90 |
| | <ul style="list-style-type: none"> • min. recess depth 90 mm • max. recess depth 125 mm | |

Recommended miscellaneous

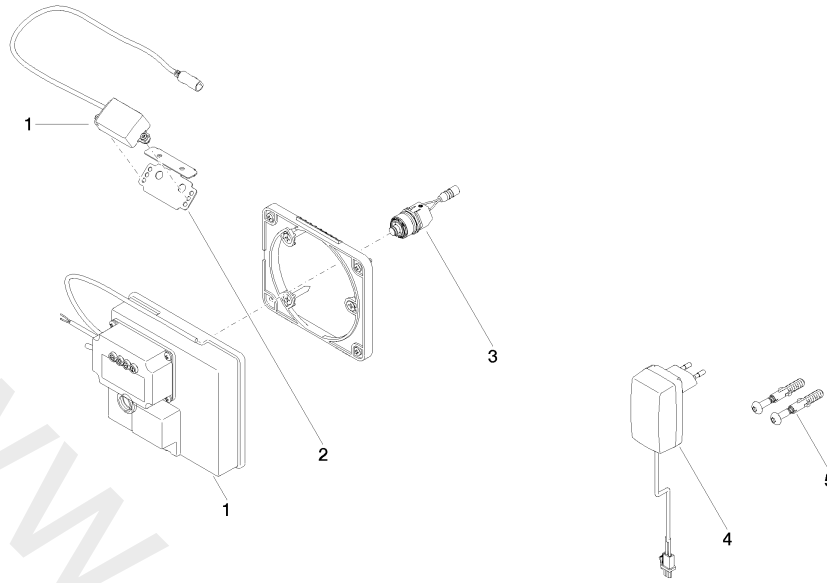
| | | |
|---|---------------------------------------|---------------|
|  | Extension for Touchfree 500 mm | 12 765 970 90 |
|---|---------------------------------------|---------------|

ST 010 103 4811

mm [inches]



ST 010 103 4811







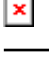


Spare parts list

| No. | Item Number | Name | Quantity used | Delivery time |
|-----|--------------------|------------------------|---------------|---------------|
| 1 | 90 10 01 177 00 90 | electronic accessories | 1 | 2 |
| 2 | 90 17 20 199 00 90 | holder | 1 | 2 |
| 3 | 04 30 50 079 00 90 | valve | 1 | 2 |
| 4 | 04 10 01 246 00 90 | electronic accessories | 1 | 2 |
| 5 | 04 30 31 024 01 90 | fixing set | 1 | 2 |

ST 010 103 4811



- 133 mm projection
- fixed spout
- rectangular, air-enriched flow
- height of mixer 180 mm
- height up to aerator 128 mm
- hole diameter 35 mm
- 2x 1/2" x 1/2" high pressure hose
- max. flow 4.5 l/min
- lead-free

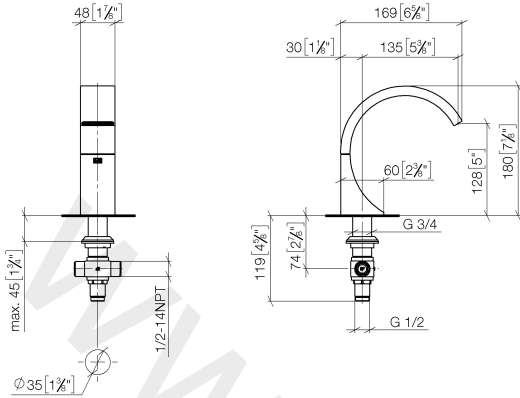
| | | |
|--|---|---------------|
|  | Chrome | 13 715 811-00 |
|  | Brushed Platinum | 13 715 811-06 |
|  | Dark Chrome | 13 715 811-19 |
|  | Brushed Durabronze (23kt Gold) | 13 715 811-28 |
|  | Platinum / Brushed Platinum | 13 715 811-36 |
|  | Durabronze / Brushed Durabronze (23kt Gold) | 13 715 811-38 |
|  | Brushed Dark Platinum | 13 715 811-99 |

www.divapor.com

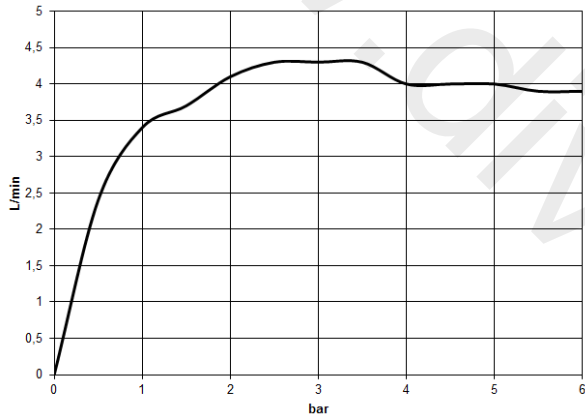
www.divapor.com

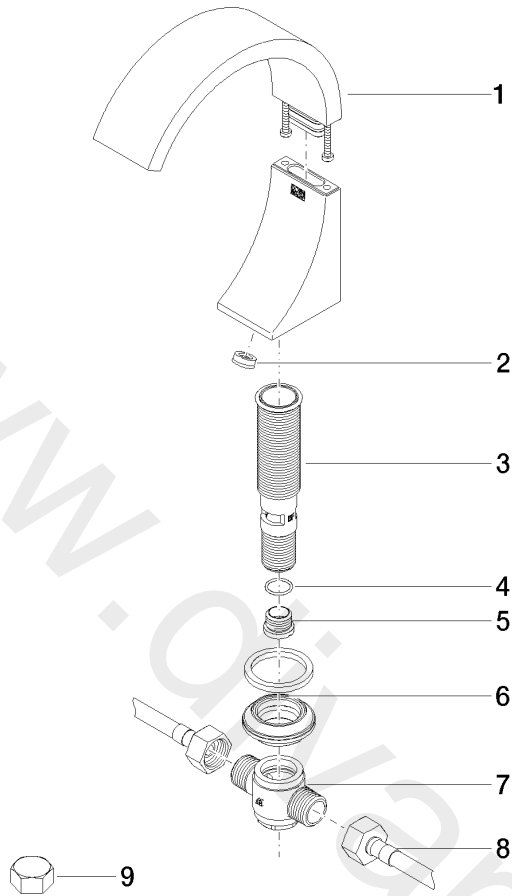
ST 010 103 4811

mm [inches]



Flow rate chart





Spare parts list

| No. | Item Number | Name | Quantity used | Delivery time |
|-----|--------------------|--------------|---------------|---------------|
| 1 | 90 11 70 012 00-00 | spout | 1 | 10 |
| 2 | 09 23 01 163 90 | flow reducer | 1 | 2 |
| 3 | 90 30 01 033 00 90 | base | 1 | 2 |
| 4 | 09 14 10 017 90 | seal | 1 | 2 |
| 5 | 09 24 04 021 10 90 | nipple | 1 | 2 |
| 6 | 04 23 10 044 09 90 | fixing set | 1 | 2 |
| 7 | 04 17 11 020 10 90 | distributor | 1 | 2 |
| 8 | 04 30 04 096 00 90 | hose | 2 | 2 |
| 9 | 04 21 02 006 00 92 | cap | 2 | 2 |