

ST 050 306 0980



Fits: IMO, MEM, CL.1, CYO

- shower with fixed riser projection 453 mm
- overhead shower: rain flow
- rain shower 300 x 240mm
- rain shower with anti-scale system
- max. rainshower flow 14 l/min
- hand shower: normal flow
- spray head Ø 100mm
- max. hand shower flow 15 l/min
- rotary diverter with volume control and shut-off function
- slide-on rosettes Ø 70 mm
- height of fittings up to rain shower (bottom edge) 985mm
- height of fittings up to top edge of elbow 1170mm
- gauge 150 mm - 13 mm
- metal shower hose 1750mm with integrated anti-twist protection
- 1/2" connection
- slide bar
- Pipe diameter 23.5 mm

	Platinum	ST 050 306 0980-08
	Chrome	ST 050 306 0980-00
	Brushed Platinum	ST 050 306 0980-06
	Dark Chrome	ST 050 306 0980-19
	Brushed Durabronz (23kt Gold)	ST 050 306 0980-28
	Matte Black	ST 050 306 0980-33
	Brushed Dark Platinum	ST 050 306 0980-99

Individual components of this set

You need the following components for this set



1x 34 459 980-08



1x 28 018 979-08

www.divapor.com

ST 050 306 0980



Fits: IMO, MEM, CL.1, CYO

- shower with fixed riser projection 453 mm
- overhead shower: rain flow
- rain shower 300 x 240mm
- rain shower with anti-scale system
- max. rainshower flow 14 l/min
- rotary diverter with volume control and shut-off function
- slide-on rosettes Ø 70 mm
- height of fittings up to rain shower (bottom edge) 985mm
- height of fittings up to top edge of elbow 1170mm
- gauge 150 mm - 13 mm
- metal shower hose 1750mm with integrated anti-twist protection
- 1/2" connection
- slide bar
- Pipe diameter 23.5 mm
- quick clearing
- This product can help a building to meet requirements of Green Building Rating Systems, e.g. LEED®, BREEAM®, DGNB, WELL

This article does not include a hand shower!

Fits MEM, CL.1, IMO, CYO

Intrinsic protection against back flow.

	Platinum	34 459 980-08
	Chrome	34 459 980-00
	Brushed Platinum	34 459 980-06
	Dark Chrome	34 459 980-19
	Brushed Durabronze (23kt Gold)	34 459 980-28
	Matte Black	34 459 980-33
	Brushed Champagne (22kt Gold)	34 459 980-46
	Champagne (22kt Gold)	34 459 980-47
	Brushed Chrome	34 459 980-93
	Brushed Dark Platinum	34 459 980-99

Required miscellaneous

	Hand shower	28 015 979-08 0010
--	--------------------	-----------------------

Required miscellaneous

	Hand shower	28 012 979-08
--	--------------------	---------------

Required miscellaneous

	Hand shower	28 016 979-08 0010
--	--------------------	-----------------------

Required miscellaneous

	Hand shower	28 017 979-08
--	--------------------	---------------

Required miscellaneous

	Hand shower	28 018 979-08
--	--------------------	---------------

Required miscellaneous

	Hand shower	28 016 979-08
--	--------------------	---------------

Required miscellaneous

	Hand shower	28 017 979-08 0010
--	--------------------	-----------------------

Required miscellaneous

	Hand shower	28 012 979-08 0010
--	--------------------	-----------------------

Required miscellaneous

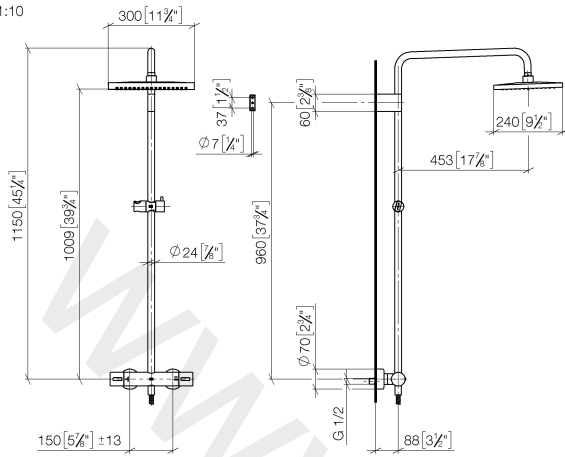
	Hand shower	28 019 979-08
--	--------------------	---------------

Required miscellaneous

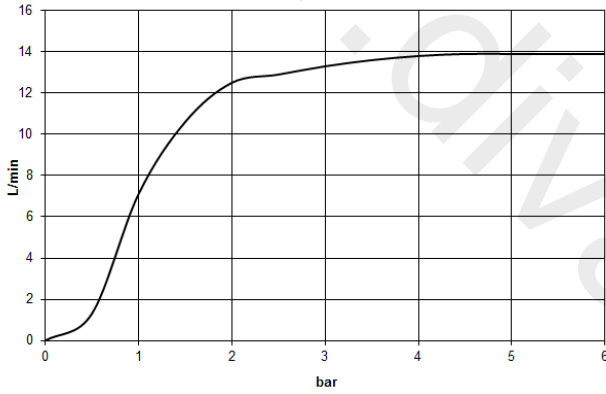
	Hand shower	28 018 979-08 0010
--	--------------------	-----------------------

ST 050 306 0980

mm [inches]
1:10

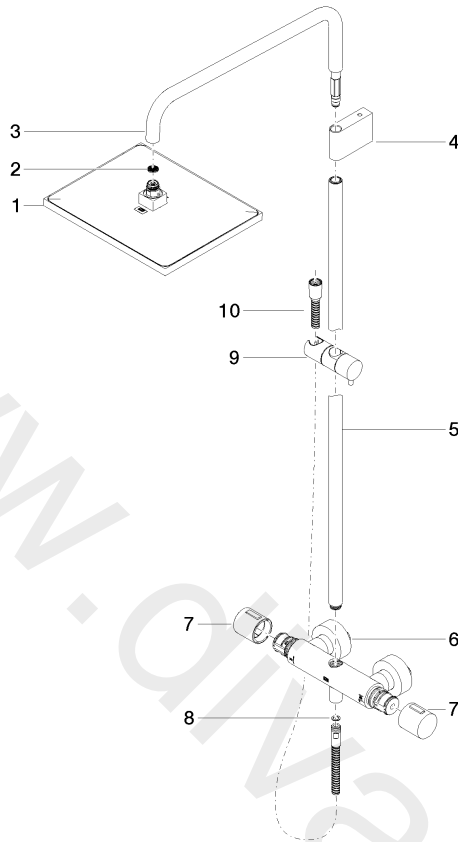


Flow rate chart



ST 050 306 0980

Parts for other finishes can be found here: Chrome



Spare parts list

No.	Item Number	Name	Quantity used	Delivery time
1	04 12 05 063 00-08	shower	1	20
2	09 23 01 039 90	sieve	1	2
3	90 28 22 348 00-08	pipe	1	20
4	90 17 11 150 00-08	holder	1	20
5	90 28 22 349 00-08	pipe	1	20
6	04 17 01 250 00-08	connection	1	20
7	90 17 33 015 00-08	handle	2	20
8	09 14 20 026 90	seal	1	2
9	12 570 970-08	Slide unit	1	20
10	28 322 970-08	Metal shower hose 1/2" x 3/8" x 1750 mm	1	2

ST 050 306 0980



- three settings: normal flow, soft flow, massage flow
- with anti-scale system
- spray head Ø 100mm
- 1/2" connection
- max. flow 15 l/min
- WRAS: 1704043
- This product can help a building to meet requirements of Green Building Rating Systems, e.g. LEED®, BREEAM®, DGNB, WELL

Intrinsic protection against back flow.

Fits: IMO, LULU, MADISON, MEM, TARA, CL.1, LISSÉ, VAIA, META, SERIES-VARIOUS, CYO

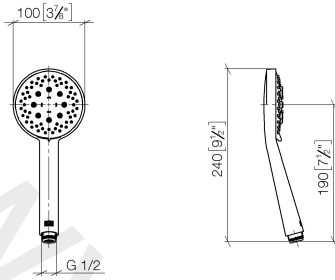
Fits MEM, CL.1, IMO, META, TARA, VAIA, LULU, LISSÉ, CYO

	Platinum	28 018 979-08
	Chrome	28 018 979-00
	Brushed Platinum	28 018 979-06
	Matte White	28 018 979-10
	Dark Chrome	28 018 979-19
	Brushed Durabronz (23kt Gold)	28 018 979-28
	Matte Black	28 018 979-33
	Brushed Champagne (22kt Gold)	28 018 979-46
	Champagne (22kt Gold)	28 018 979-47
	Brushed Chrome	28 018 979-93
	Brushed Dark Platinum	28 018 979-99

www.divapor.com

ST 050 306 0980

mm [inches]



Flow rate chart

