

ST 060 110 8780



- cover plate 120 x 120 mm
  - rosette 60 x 60 mm
  - temperature control handle with safety limit stop at 38°C
  - thermostat cartridge
  - 2x head part with cut-to-length spindle and sleeve
- 36 503 985-FF can also be used as an alternative.**  
**Note: Important! The minimum recess depths make it necessary to have a wall of 2 x 6 crosspieces.**

	Platinum	ST 060 110 8780-08
	Chrome	ST 060 110 8780-00
	Brushed Platinum	ST 060 110 8780-06
	Brushed Durabronze (23kt Gold)	ST 060 110 8780-28
	Brushed Champagne (22kt Gold)	ST 060 110 8780-46
	Champagne (22kt Gold)	ST 060 110 8780-47
	Brushed Chrome	ST 060 110 8780-93
	Brushed Dark Platinum	ST 060 110 8780-99

Individual components of this set

You need the following components for this set



1x 36 503 780-08



2x 36 607 782-08

www.divapor.com

ST 060 110 8780



Fits: IMO, MEM, CL.1, CYO

- cover plate 120 x 120 mm
- temperature control handle with safety limit stop at 38°C
- thermostat cartridge

**Codes & standards**

**Note: Important! The minimum recess depths make it necessary to have a wall of 2 x 6 crosspieces.**

Note: Important! The minimum recess depths make it necessary to have a wall of 2 x 6 crosspieces.

	Platinum	36 503 780-08
	Chrome	36 503 780-00
	Brushed Platinum	36 503 780-06
	Dark Chrome	36 503 780-19
	Brushed Durabronz (23kt Gold)	36 503 780-28
	Matte Black	36 503 780-33
	Brushed Champagne (22kt Gold)	36 503 780-46
	Champagne (22kt Gold)	36 503 780-47
	Brushed Chrome	36 503 780-93
	Brushed Dark Platinum	36 503 780-99

**Required miscellaneous**

	<b>xTOOL Concealed thermostat module without volume control</b>	35 503 970 90
	<ul style="list-style-type: none"> <li>•min. recess depth 115 mm</li> <li>•max. recess depth 155 mm</li> </ul>	

**Recommended miscellaneous**

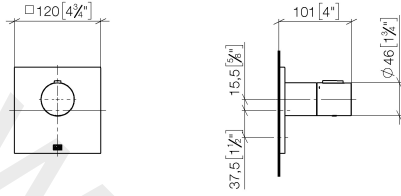
	<b>xGRID Attachment set for integrating in the dry wall construction</b>	12 340 970 90
--	--	---------------

**Required miscellaneous**

	<b>xGRID Installation track 555 mm</b>	12 360 970 90
--	--	---------------

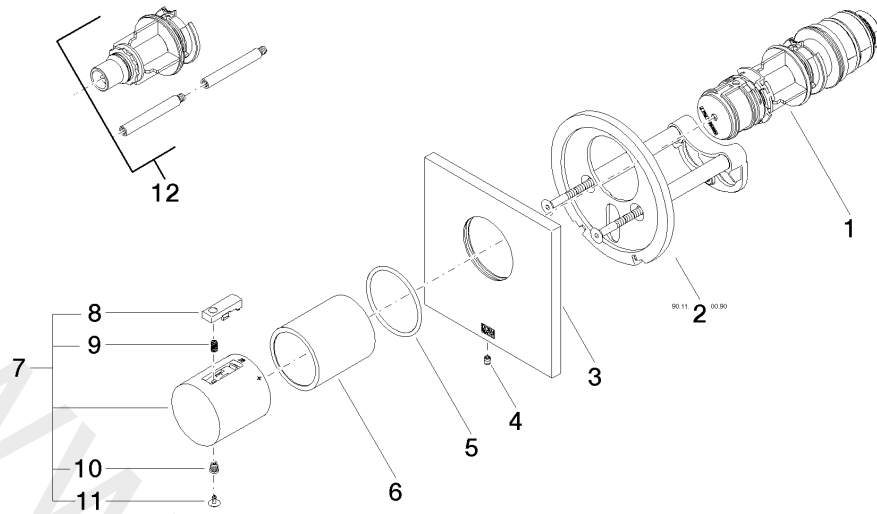
ST 060 110 8780

mm [inches]



www.divapor.com

ST 060 110 8780



Spare parts list

No.	Item Number	Name	Quantity used	Delivery time
1	90 15 02 065 00 90	cartridge	1	2
2	90 11 01 196 00 90	base	1	2
3	09 11 02 533-08	cover	1	20
4	09 31 11 044 90	pin	1	2
5	09 14 10 049 90	seal	1	2
6	09 21 02 112-08	sleeve	1	20
7	90 17 33 004 00-08	handle	1	20
8	90 21 33 010 00-13	handle	1	2
9	90 16 02 027 00 90	spring	1	2
10	09 30 30 136 90	screw	1	2
11	09 31 20 049-13	plug	1	30
12	12 178 970 90	Extension 46 mm	1	2

ST 060 110 8780

- rosette 60 x 60 mm
- head part with cut-to-length spindle and sleeve



**Codes & standards**

**Fits MEM**

Fits MEM

	Platinum	36 607 782-08
	Chrome	36 607 782-00
	Brushed Platinum	36 607 782-06
	Dark Chrome	36 607 782-19
	Brushed Durabronze (23kt Gold)	36 607 782-28
	Brushed Champagne (22kt Gold)	36 607 782-46
	Champagne (22kt Gold)	36 607 782-47
	Brushed Chrome	36 607 782-93
	Brushed Dark Platinum	36 607 782-99

**Required miscellaneous**



**Wall valve 1/2"**

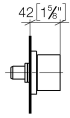
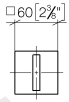
35 607 970 90

- min. recess depth 105 mm
- max. recess depth 150 mm

www.divapor.com

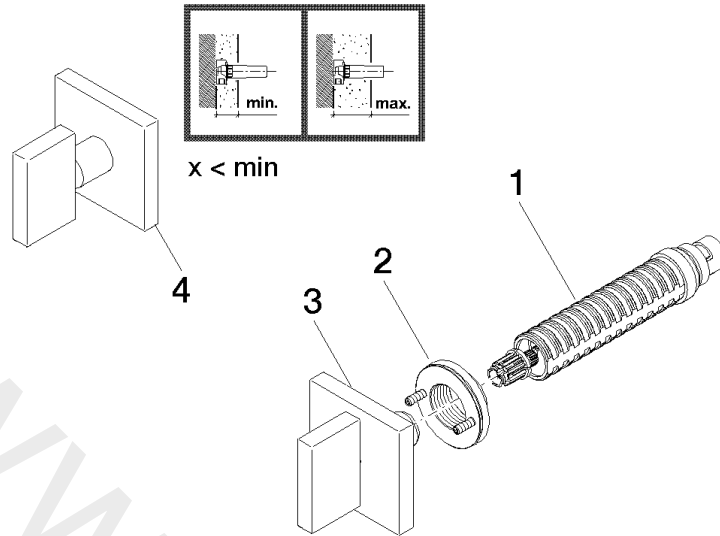
ST 060 110 8780

mm [inches]



www.divapor.com

ST 060 110 8780



Spare parts list

No.	Item Number	Name	Quantity used	Delivery time
1	90 90 03 143 00 90	top	1	2
2	90 21 02 108 00 90	disc	1	2
3	90 20 78 002 02-08	handle	1	20
4	04 20 78 002 01-08	handle	1	20