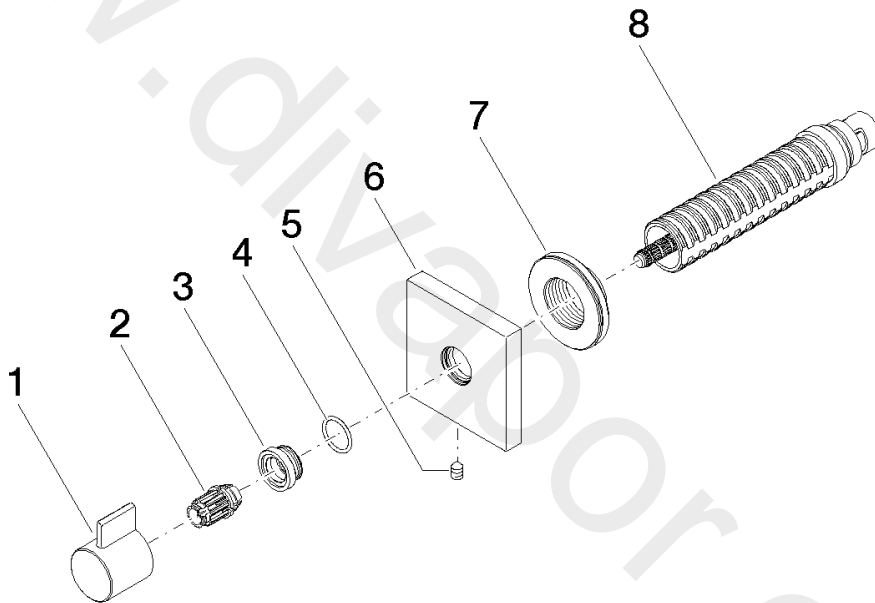


Shower - IMO

Wall valve anti-clockwise closing 1/2"

Article number: 36 607 985-08





Shower - IMO

Wall valve anti-clockwise closing 1/2"

Article number: 36 607 985-08

Spare parts list

Position	Quantity used	Item Number	Spare part	Delivery time
1	1	09 20 98 002-08	handle	20
2	1	09 12 12 005 90	fixing cap	2
3	1	09 12 12 043-08	base	20
4	1	09 14 10 017 90	seal	2
5	1	04 31 11 004 00 90	pin	2
6	1	09 27 98 014-08	rosette	20
7	1	09 21 02 151 90	sleeve	2
8	1	90 90 03 202 00 90	top	2