

ST 060 112 9892



- cover plate Ø 124 mm
- rosette Ø 55 mm
- temperature control handle with safety limit stop at 38°C
- thermostat cartridge
- 3x head part with cut-to-length spindle and sleeve

Note: Important! The minimum recess depths make it necessary to have a wall of 2 x 6 crosspieces.

	Platinum	ST 060 112 9892-08
	Chrome	ST 060 112 9892-00
	Brushed Platinum	ST 060 112 9892-06
	Matte White	ST 060 112 9892-10
	Brushed Durabronze (23kt Gold)	ST 060 112 9892-28
	Matte Black	ST 060 112 9892-33
	Brushed Champagne (22kt Gold)	ST 060 112 9892-46
	Champagne (22kt Gold)	ST 060 112 9892-47
	Brushed Chrome	ST 060 112 9892-93
	Brushed Dark Platinum	ST 060 112 9892-99

Individual components of this set

You need the following components for this set



1x 36 503 979-08



3x 36 607 892-08

www.divapor.com

ST 060 112 9892



- cover plate Ø 124 mm
- temperature control handle with safety limit stop at 38°C
- thermostat cartridge

Codes & standards

	Platinum	36 503 979-08
	Chrome	36 503 979-00
	Brushed Platinum	36 503 979-06
	Durabress (23kt Gold)	36 503 979-09
	Matte White	36 503 979-10
	Dark Chrome	36 503 979-19
	Brushed Durabress (23kt Gold)	36 503 979-28
	Matte Black	36 503 979-33
	Brushed Champagne (22kt Gold)	36 503 979-46
	Champagne (22kt Gold)	36 503 979-47
	Brushed Chrome	36 503 979-93
	Brushed Dark Platinum	36 503 979-99

Required miscellaneous



xTOOL Concealed thermostat module without volume control 35 503 970 90
 • min. recess depth 85 mm
 • max. recess depth 110 mm

Recommended miscellaneous



xGRID Attachment set for integrating in the dry wall construction 12 340 970 90

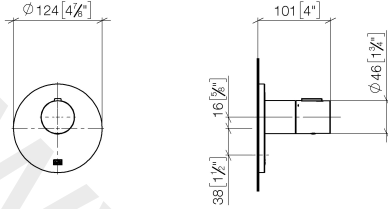
Required miscellaneous



xGRID Installation track 555 mm 12 360 970 90

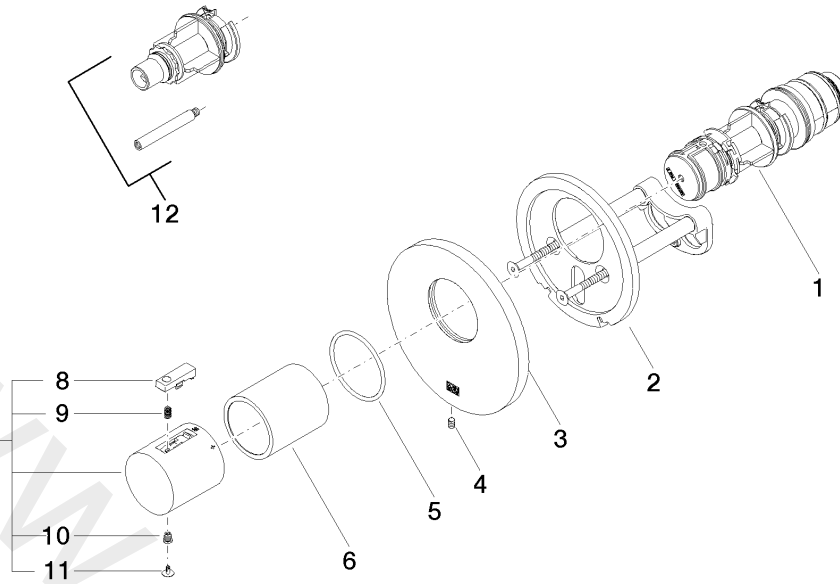
ST 060 112 9892

mm [inches]



www.divapor.com

ST 060 112 9892



Spare parts list

No.	Item Number	Name	Quantity used	Delivery time
1	90 15 02 065 00 90	cartridge	1	2
2	90 11 01 196 00 90	base	1	2
3	09 11 02 537-08	cover	1	20
4	09 31 11 048 90	pin	1	2
5	09 14 10 049 90	seal	1	2
6	09 21 02 112-08	sleeve	1	20
7	90 17 33 004 00-08	handle	1	20
8	90 21 33 010 00-13	handle	1	2
9	90 16 02 027 00 90	spring	1	2
10	09 30 30 136 90	screw	1	2
11	09 31 20 049-13	plug	1	30
12	12 178 970 90	Extension 46 mm	1	2

ST 060 112 9892

- rosette Ø 55 mm
- head part with cut-to-length spindle and sleeve

Codes & standards

Fits TARA

Fits TARA



	Platinum	36 607 892-08
	Chrome	36 607 892-00
	Brushed Platinum	36 607 892-06
	Matte White	36 607 892-10
	Dark Chrome	36 607 892-19
	Brushed Durabronze (23kt Gold)	36 607 892-28
	Matte Black	36 607 892-33
	Brushed Champagne (22kt Gold)	36 607 892-46
	Champagne (22kt Gold)	36 607 892-47
	Brushed Chrome	36 607 892-93
	Brushed Dark Platinum	36 607 892-99

Required miscellaneous



Wall valve 1/2"

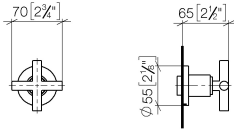
- min. recess depth 85 mm
- max. recess depth 145 mm

35 607 970 90

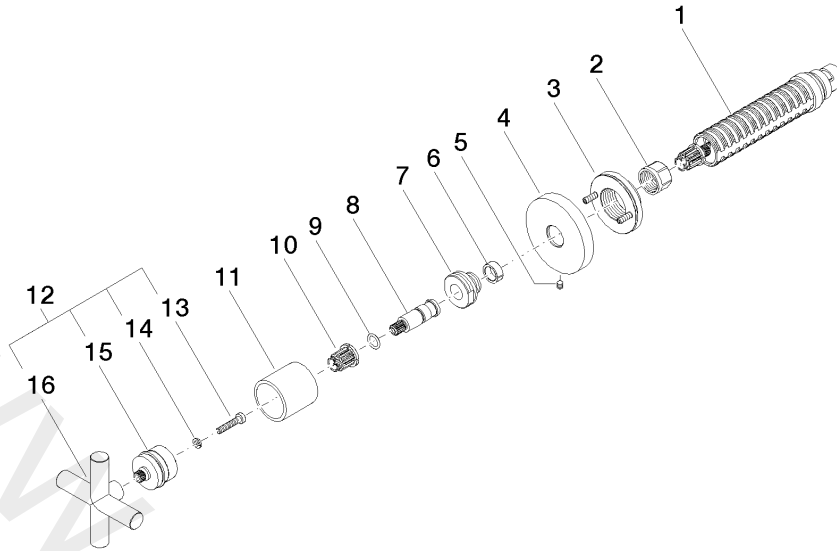
www.divapor.com

ST 060 112 9892

mm [inches]



www.divapor.com



Spare parts list

No.	Item Number	Name	Quantity used	Delivery time
1	90 90 03 143 00 90	top	1	2
2	09 23 30 023 90	nut	1	2
3	90 21 02 108 00 90	disc	1	2
4	09 27 89 108-08	rosette	1	20
5	09 31 11 007 90	pin	1	2
6	09 14 15 020 90	ring	1	2
7	09 24 05 002 90	nipple	1	2
8	09 29 06 022 90	spindle	1	2
9	09 14 10 060 90	seal	1	2
10	90 12 12 002 00 90	fixing cap	1	2
11	09 21 02 144-08	sleeve	1	20
12	04 20 89 010 00-08	handle	1	60
13	09 30 30 075 90	screw	1	2
14	09 30 11 029 90	disc	1	2
15	90 12 12 007 00-08	base	1	20
16	09 20 89 010-08	handle	1	20