

ST 060 112 5809



- cover plate Ø 124 mm
- rosette Ø 60 mm
- temperature control handle with safety limit stop at 38°C
- thermostat cartridge
- 3x head part with cut-to-length spindle and sleeve

	Platinum	ST 060 112 5809-08
	Chrome	ST 060 112 5809-00
	Brushed Platinum	ST 060 112 5809-06
	Dark Chrome	ST 060 112 5809-19
	Brushed Durabronze (23kt Gold)	ST 060 112 5809-28
	Brushed Champagne (22kt Gold)	ST 060 112 5809-46
	Champagne (22kt Gold)	ST 060 112 5809-47
	Brushed Dark Platinum	ST 060 112 5809-99

Individual components of this set

You need the following components for this set



1x 36 503 979-08



3x 36 607 809-08

www.divapor.com

ST 060 112 5809



- cover plate Ø 124 mm
- temperature control handle with safety limit stop at 38°C
- thermostat cartridge

Codes & standards

	Platinum	36 503 979-08
	Chrome	36 503 979-00
	Brushed Platinum	36 503 979-06
	Durabass (23kt Gold)	36 503 979-09
	Matte White	36 503 979-10
	Dark Chrome	36 503 979-19
	Brushed Durabass (23kt Gold)	36 503 979-28
	Matte Black	36 503 979-33
	Brushed Champagne (22kt Gold)	36 503 979-46
	Champagne (22kt Gold)	36 503 979-47
	Brushed Chrome	36 503 979-93
	Brushed Dark Platinum	36 503 979-99

Required miscellaneous



xTOOL Concealed thermostat module without volume control 35 503 970 90
 • min. recess depth 85 mm
 • max. recess depth 110 mm

Recommended miscellaneous



xGRID Attachment set for integrating in the dry wall construction 12 340 970 90

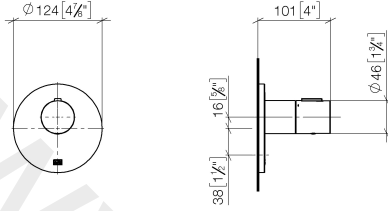
Required miscellaneous



xGRID Installation track 555 mm 12 360 970 90

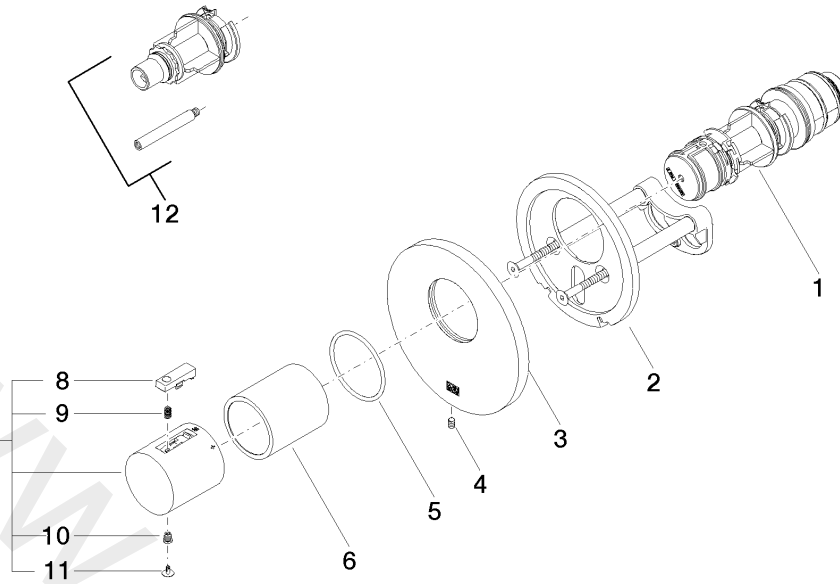
ST 060 112 5809

mm [inches]



www.divapor.com

ST 060 112 5809



Spare parts list

No.	Item Number	Name	Quantity used	Delivery time
1	90 15 02 065 00 90	cartridge	1	2
2	90 11 01 196 00 90	base	1	2
3	09 11 02 537-08	cover	1	20
4	09 31 11 048 90	pin	1	2
5	09 14 10 049 90	seal	1	2
6	09 21 02 112-08	sleeve	1	20
7	90 17 33 004 00-08	handle	1	20
8	90 21 33 010 00-13	handle	1	2
9	90 16 02 027 00 90	spring	1	2
10	09 30 30 136 90	screw	1	2
11	09 31 20 049-13	plug	1	30
12	12 178 970 90	Extension 46 mm	1	2

ST 060 112 5809



- rosette Ø 60 mm
- head part with cut-to-length spindle and sleeve

Codes & standards

Fits VAIA

Fits VAIA

	Platinum	36 607 809-08
	Chrome	36 607 809-00
	Brushed Platinum	36 607 809-06
	Dark Chrome	36 607 809-19
	Brushed Durabronze (23kt Gold)	36 607 809-28
	Brushed Champagne (22kt Gold)	36 607 809-46
	Champagne (22kt Gold)	36 607 809-47
	Brushed Dark Platinum	36 607 809-99

Required miscellaneous



Wall valve 1/2"

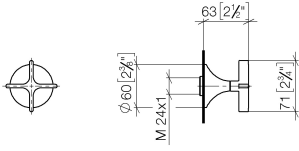
35 607 970 90

- min. recess depth 75 mm
- max. recess depth 145 mm

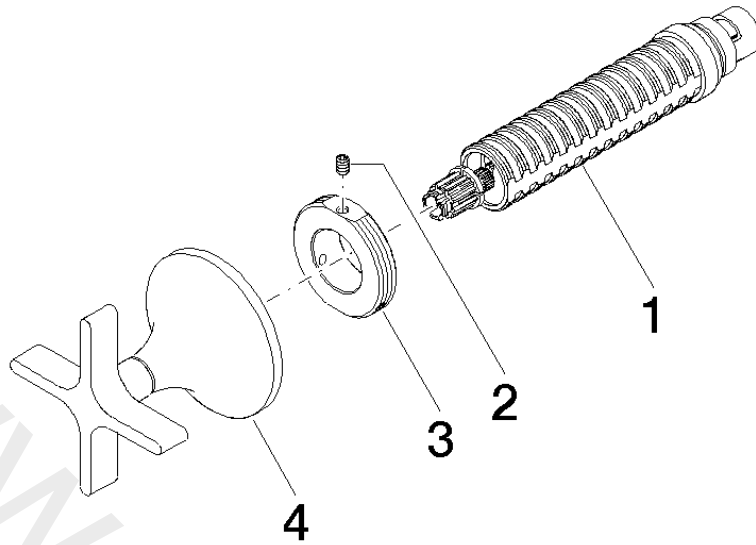
www.divapor.com

ST 060 112 5809

mm [inches]



www.divapor.com



Spare parts list

No.	Item Number	Name	Quantity used	Delivery time
1	90 90 03 143 00 90	top	1	2
2	09 31 11 008 90	pin	1	2
3	09 21 02 163 90	disc	1	2
4	90 20 80 014 00-08	handle	1	-