

ST 060 113 5892

- slide-on rosettes Ø 70 mm
- gauge 150 mm - 13 mm
- 3/8" shower outlet
- with volume control



	Platinum	ST 060 113 5892-08
	Chrome	ST 060 113 5892-00
	Brushed Platinum	ST 060 113 5892-06
	Matte White	ST 060 113 5892-10
	Dark Chrome	ST 060 113 5892-19
	Brushed Durabronze (23kt Gold)	ST 060 113 5892-28
	Matte Black	ST 060 113 5892-33
	Brushed Champagne (22kt Gold)	ST 060 113 5892-46
	Champagne (22kt Gold)	ST 060 113 5892-47
	Brushed Chrome	ST 060 113 5892-93
	Brushed Dark Platinum	ST 060 113 5892-99

Individual components of this set

You need the following components for this set

1x 11 431 892-08



1x 34 443 979-08



www.divapor.com

ST 060 113 5892



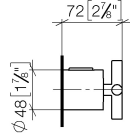
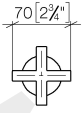
	Platinum	11 431 892-08
	Chrome	11 431 892-00
	Brushed Platinum	11 431 892-06
	Matte White	11 431 892-10
	Dark Chrome	11 431 892-19
	Brushed Durabronze (23kt Gold)	11 431 892-28
	Matte Black	11 431 892-33
	Brushed Champagne (22kt Gold)	11 431 892-46
	Champagne (22kt Gold)	11 431 892-47
	Brushed Chrome	11 431 892-93
	Brushed Dark Platinum	11 431 892-99

www.divapor.com

www.divapor.com

ST 060 113 5892

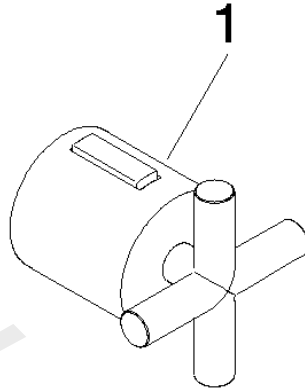
mm [inches]



www.divapor.com

www.divapor.com

ST 060 113 5892



- slide-on rosettes Ø 70 mm
- gauge 150 mm - 13 mm
- 3/8" shower outlet
- with volume control

Intrinsic protection against back flow.

	Platinum	34 443 979-08
	Chrome	34 443 979-00
	Brushed Platinum	34 443 979-06
	Matte White	34 443 979-10
	Dark Chrome	34 443 979-19
	Brushed Durabronze (23kt Gold)	34 443 979-28
	Matte Black	34 443 979-33
	Brushed Champagne (22kt Gold)	34 443 979-46
	Champagne (22kt Gold)	34 443 979-47
	Brushed Chrome	34 443 979-93
	Brushed Dark Platinum	34 443 979-99

www.divapor.com

ST 060 113 5892

Required miscellaneous

Regulator handle

11 431 892-08

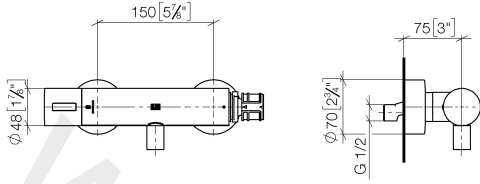


www.divapor.com

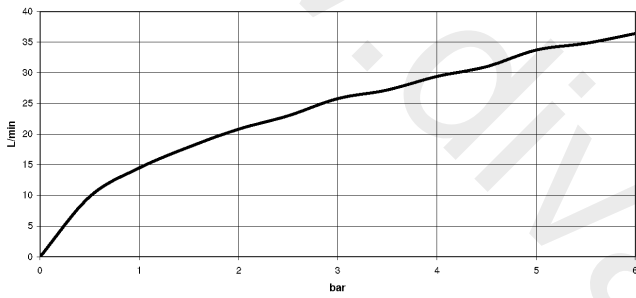
www.divapor.com

ST 060 113 5892

mm [inches]

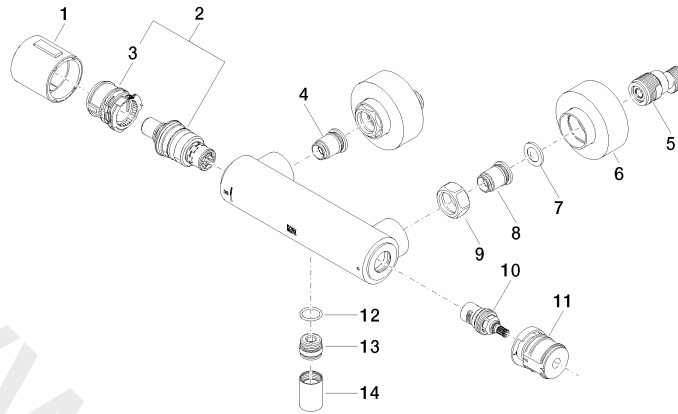


Flow rate chart



ST 060 113 5892

Parts for other finishes can be found here: [Chrome](#)



Spare parts list

No.	Item Number	Name	Quantity used	Delivery time
1	90 17 33 015 00-08	handle	1	20
2	90 15 02 070 00 90	cartridge	1	2
3	90 30 40 010 00 90	regulator	1	2
4	04 31 20 530 00 90	insert	1	2
5	04 11 04 030 00 90	connection	2	2
6	90 31 20 512 00-08	rosette	2	20
7	09 29 30 050 90	sieve	2	2
8	04 31 20 540 00 90	insert	1	2
9	09 24 77 008-00	nut	2	10
10	90 90 03 236 00 90	top	1	2
11	90 30 40 017 00 90	base	1	2
12	09 14 10 010 90	seal	1	2
13	09 31 20 511-08	nipple	1	60
14	09 21 02 069-08	cover	1	20