

ST 060 115 1809

- cover plate Ø 123 mm
- rosette Ø 60 mm
- temperature control handle with safety limit stop at 38°C
- thermostat cartridge
- 2x head part with cut-to-length spindle and sleeve



	Platinum	ST 060 115 1809-08
	Chrome	ST 060 115 1809-00
	Brushed Platinum	ST 060 115 1809-06
	Dark Chrome	ST 060 115 1809-19
	Brushed Durabronze (23kt Gold)	ST 060 115 1809-28
	Brushed Champagne (22kt Gold)	ST 060 115 1809-46
	Champagne (22kt Gold)	ST 060 115 1809-47
	Brushed Dark Platinum	ST 060 115 1809-99

Individual components of this set

You need the following components for this set

2x 36 607 809-08



1x 36 503 809-08



www.divapor.com

ST 060 115 1809



- rosette Ø 60 mm
- head part with cut-to-length spindle and sleeve

**Codes & standards**

**Fits VAIA**

Fits VAIA

	Platinum	36 607 809-08
	Chrome	36 607 809-00
	Brushed Platinum	36 607 809-06
	Dark Chrome	36 607 809-19
	Brushed Durabronze (23kt Gold)	36 607 809-28
	Brushed Champagne (22kt Gold)	36 607 809-46
	Champagne (22kt Gold)	36 607 809-47
	Brushed Dark Platinum	36 607 809-99

**Required miscellaneous**



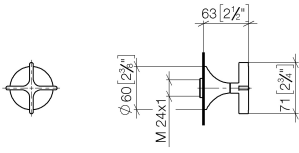
**Wall valve 1/2"**

35 607 970 90

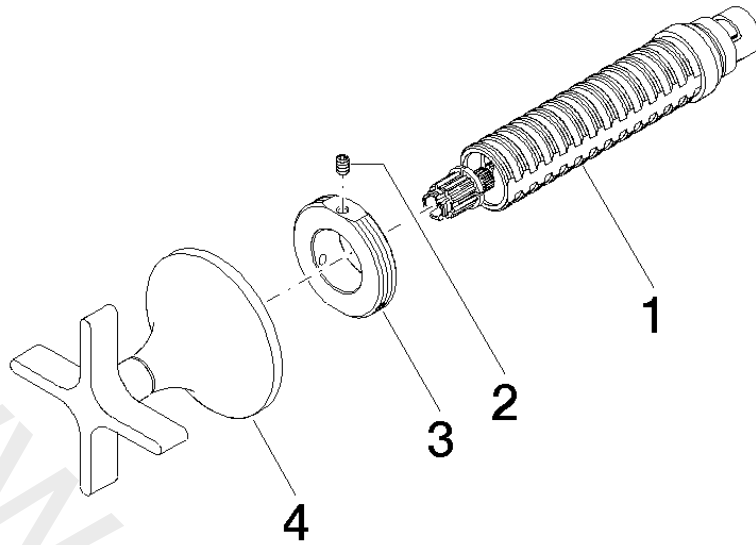
- min. recess depth 75 mm
- max. recess depth 145 mm

ST 060 115 1809

mm [inches]



www.divapor.com



Spare parts list

No.	Item Number	Name	Quantity used	Delivery time
1	90 90 03 143 00 90	top	1	2
2	09 31 11 008 90	pin	1	2
3	09 21 02 163 90	disc	1	2
4	90 20 80 014 00-08	handle	1	-

ST 060 115 1809



- cover plate Ø 123 mm
- temperature control handle with safety limit stop at 38°C
- thermostat cartridge

	Platinum	36 503 809-08
	Chrome	36 503 809-00
	Brushed Platinum	36 503 809-06
	Dark Chrome	36 503 809-19
	Brushed Durabronz (23kt Gold)	36 503 809-28
	Brushed Champagne (22kt Gold)	36 503 809-46
	Champagne (22kt Gold)	36 503 809-47
	Brushed Dark Platinum	36 503 809-99

**Required miscellaneous**



**xTOOL Concealed thermostat module without volume control** 35 503 970 90  
 •min. recess depth 85 mm  
 •max. recess depth 110 mm

**Recommended miscellaneous**



**xGRID Attachment set for integrating in the dry wall construction** 12 340 970 90

**Required miscellaneous**



**xGRID Installation track 555 mm** 12 360 970 90

www.divapor.com

www.divapor.com

www.divapor.com