

ST 060 115 2809



- cover plate Ø 123 mm
- rosette Ø 60 mm
- temperature control handle with safety limit stop at 38°C
- thermostat cartridge
- 3x head part with cut-to-length spindle and sleeve

	Platinum	ST 060 115 2809-08
	Chrome	ST 060 115 2809-00
	Brushed Platinum	ST 060 115 2809-06
	Dark Chrome	ST 060 115 2809-19
	Brushed Durabronze (23kt Gold)	ST 060 115 2809-28
	Brushed Champagne (22kt Gold)	ST 060 115 2809-46
	Champagne (22kt Gold)	ST 060 115 2809-47
	Brushed Dark Platinum	ST 060 115 2809-99

Individual components of this set

You need the following components for this set



3x 36 607 809-08



1x 36 503 809-08

www.divapor.com

ST 060 115 2809



- rosette Ø 60 mm
- head part with cut-to-length spindle and sleeve

Codes & standards

Fits VAIA

Fits VAIA

	Platinum	36 607 809-08
	Chrome	36 607 809-00
	Brushed Platinum	36 607 809-06
	Dark Chrome	36 607 809-19
	Brushed Durabronze (23kt Gold)	36 607 809-28
	Brushed Champagne (22kt Gold)	36 607 809-46
	Champagne (22kt Gold)	36 607 809-47
	Brushed Dark Platinum	36 607 809-99

Required miscellaneous



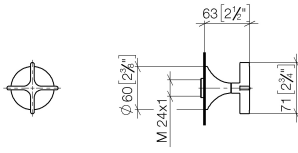
Wall valve 1/2"

35 607 970 90

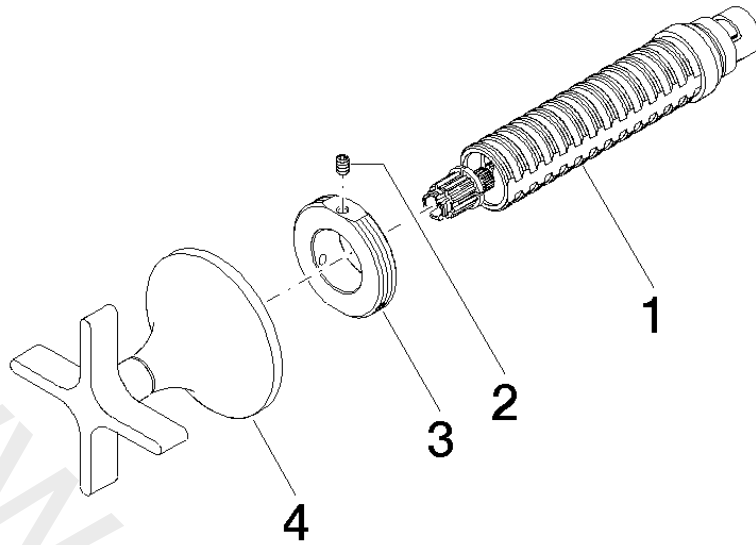
- min. recess depth 75 mm
- max. recess depth 145 mm

ST 060 115 2809

mm [inches]



www.divapor.com



Spare parts list

No.	Item Number	Name	Quantity used	Delivery time
1	90 90 03 143 00 90	top	1	2
2	09 31 11 008 90	pin	1	2
3	09 21 02 163 90	disc	1	2
4	90 20 80 014 00-08	handle	1	-

ST 060 115 2809



- cover plate Ø 123 mm
- temperature control handle with safety limit stop at 38°C
- thermostat cartridge

	Platinum	36 503 809-08
	Chrome	36 503 809-00
	Brushed Platinum	36 503 809-06
	Dark Chrome	36 503 809-19
	Brushed Durabronze (23kt Gold)	36 503 809-28
	Brushed Champagne (22kt Gold)	36 503 809-46
	Champagne (22kt Gold)	36 503 809-47
	Brushed Dark Platinum	36 503 809-99

Required miscellaneous



xTOOL Concealed thermostat module without volume control 35 503 970 90
 •min. recess depth 85 mm
 •max. recess depth 110 mm

Recommended miscellaneous



xGRID Attachment set for integrating in the dry wall construction 12 340 970 90

Required miscellaneous



xGRID Installation track 555 mm 12 360 970 90

www.divapor.com

www.divapor.com

www.divapor.com