

ST 060 115 3892



- cover plate Ø 123 mm
- rosette Ø 60 mm
- temperature control handle with safety limit stop at 38°C
- thermostat cartridge
- 2x head part with cut-to-length spindle and sleeve

	Platinum	ST 060 115 3892-08
	Chrome	ST 060 115 3892-00
	Brushed Platinum	ST 060 115 3892-06
	Matte White	ST 060 115 3892-10
	Dark Chrome	ST 060 115 3892-19
	Brushed Durabronze (23kt Gold)	ST 060 115 3892-28
	Matte Black	ST 060 115 3892-33
	Brushed Champagne (22kt Gold)	ST 060 115 3892-46
	Champagne (22kt Gold)	ST 060 115 3892-47
	Brushed Chrome	ST 060 115 3892-93
	Brushed Dark Platinum	ST 060 115 3892-99

Individual components of this set

You need the following components for this set

2x 36 607 892-08



1x 36 503 892-08



www.divapor.com

ST 060 115 3892

- rosette Ø 55 mm
- head part with cut-to-length spindle and sleeve

**Codes & standards**

**Fits TARA**

Fits TARA



	Platinum	36 607 892-08
	Chrome	36 607 892-00
	Brushed Platinum	36 607 892-06
	Matte White	36 607 892-10
	Dark Chrome	36 607 892-19
	Brushed Durabronze (23kt Gold)	36 607 892-28
	Matte Black	36 607 892-33
	Brushed Champagne (22kt Gold)	36 607 892-46
	Champagne (22kt Gold)	36 607 892-47
	Brushed Chrome	36 607 892-93
	Brushed Dark Platinum	36 607 892-99

**Required miscellaneous**



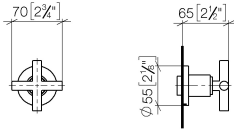
**Wall valve 1/2"**

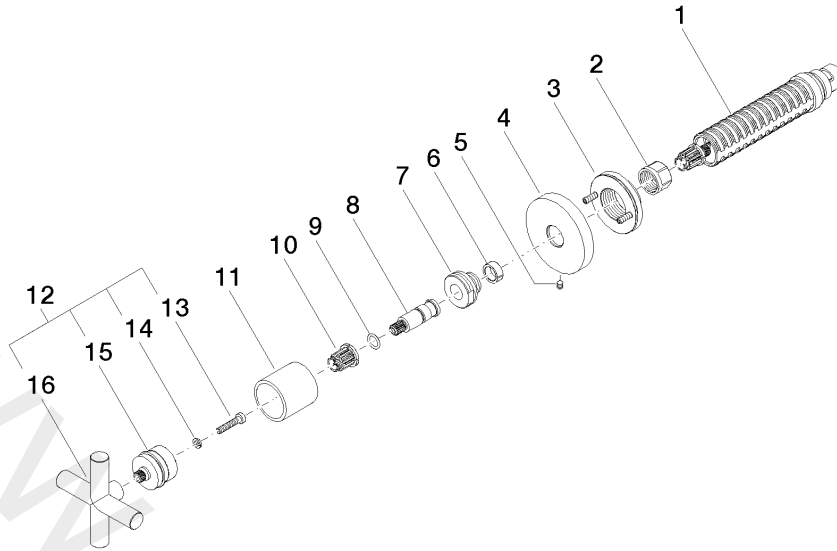
- min. recess depth 85 mm
- max. recess depth 145 mm

35 607 970 90

ST 060 115 3892

mm [inches]





Spare parts list

No.	Item Number	Name	Quantity used	Delivery time
1	90 90 03 143 00 90	top	1	2
2	09 23 30 023 90	nut	1	2
3	90 21 02 108 00 90	disc	1	2
4	09 27 89 108-08	rosette	1	20
5	09 31 11 007 90	pin	1	2
6	09 14 15 020 90	ring	1	2
7	09 24 05 002 90	nipple	1	2
8	09 29 06 022 90	spindle	1	2
9	09 14 10 060 90	seal	1	2
10	90 12 12 002 00 90	fixing cap	1	2
11	09 21 02 144-08	sleeve	1	20
12	04 20 89 010 00-08	handle	1	60
13	09 30 30 075 90	screw	1	2
14	09 30 11 029 90	disc	1	2
15	90 12 12 007 00-08	base	1	20
16	09 20 89 010-08	handle	1	20

ST 060 115 3892



- cover plate Ø 123 mm
- temperature control handle with safety limit stop at 38°C
- thermostat cartridge

	Platinum	36 503 892-08
	Chrome	36 503 892-00
	Brushed Platinum	36 503 892-06
	Matte White	36 503 892-10
	Dark Chrome	36 503 892-19
	Brushed Durabronze (23kt Gold)	36 503 892-28
	Matte Black	36 503 892-33
	Brushed Champagne (22kt Gold)	36 503 892-46
	Champagne (22kt Gold)	36 503 892-47
	Brushed Chrome	36 503 892-93
	Brushed Dark Platinum	36 503 892-99

**Required miscellaneous**



**xTOOL Concealed thermostat module without volume control** 35 503 970 90  
 • min. recess depth 95 mm  
 • max. recess depth 160 mm

**Recommended miscellaneous**



**xGRID Attachment set for integrating in the dry wall construction** 12 340 970 90

**Required miscellaneous**

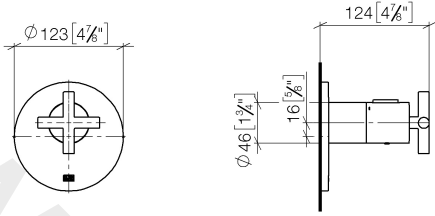


**xGRID Installation track 555 mm** 12 360 970 90

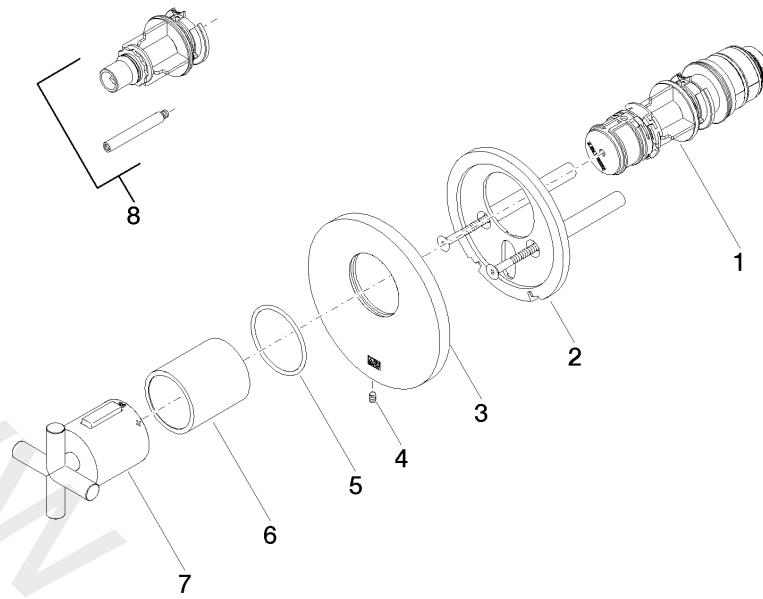
www.divapor.com

ST 060 115 3892

mm [inches]



www.divapor.com



Spare parts list

No.	Item Number	Name	Quantity used	Delivery time
1	90 15 02 065 00 90	cartridge	1	2
2	90 11 01 196 00 90	base	1	2
3	09 11 02 537-08	cover	1	20
4	09 31 11 048 90	pin	1	2
5	09 14 10 049 90	seal	1	2
6	09 21 02 112-08	sleeve	1	20
7	90 17 33 027 00-08	handle	1	20
8	12 178 970 90	Extension 46 mm	1	2