

ST 050 303 4892



- shower with fixed riser projection 420 mm
- overhead shower: rain flow
- rain shower Ø 220 mm
- rain shower with anti-scale system
- max. rainshower flow 9 l/min
- hand shower: normal flow
- spray head Ø 100mm
- max. hand shower flow 15 l/min
- rotary diverter for fixed-riser shower/hand shower
- height of fittings up to rain shower (bottom edge) 1007mm
- height of fittings up to top edge of elbow 1167mm
- rosette for shower holder Ø 55mm
- rosette for wall mounting Ø 57mm
- rosette for shower mixer Ø 65mm
- gauge 150 mm - 13 mm
- 1500 mm metal shower hose
- 1/2" connection
- Pipe diameter 20 mm

	Brushed Platinum	ST 050 303 4892-06
	Chrome	ST 050 303 4892-00
	Platinum	ST 050 303 4892-08
	Matte White	ST 050 303 4892-10
	Dark Chrome	ST 050 303 4892-19
	Brushed Durabronze (23kt Gold)	ST 050 303 4892-28
	Matte Black	ST 050 303 4892-33
	Brushed Chrome	ST 050 303 4892-93
	Brushed Dark Platinum	ST 050 303 4892-99

**Individual components of this set**

You need the following components for this set



1x 26 633 892-06



1x 28 018 979-06

www.divapor.com

ST 050 303 4892



- shower with fixed riser projection 420 mm
- overhead shower: rain flow
- rain shower Ø 220 mm
- rain shower with anti-scale system
- max. rainshower flow 9 l/min
- rotary diverter for fixed-riser shower/hand shower
- height of fittings up to rain shower (bottom edge) 1007mm
- height of fittings up to top edge of elbow 1167mm
- rosette for shower holder Ø 55mm
- rosette for wall mounting Ø 57mm
- rosette for shower mixer Ø 65mm
- gauge 150 mm - 13 mm
- 1500 mm metal shower hose
- 1/2" connection
- Pipe diameter 20 mm
- quick clearing
- This product can help a building to meet requirements of Green Building Rating Systems, e.g. LEED®, BREEAM®, DGNB, WELL

This article does not include a hand shower!

Fits TARA

Intrinsic protection against back flow.

Product change as of 1.4.2023: max. flow 7 l/min

	Brushed Platinum	26 633 892-06
	Chrome	26 633 892-00
	Platinum	26 633 892-08
	Matte White	26 633 892-10
	Dark Chrome	26 633 892-19
	Brushed Durabronze (23kt Gold)	26 633 892-28
	Matte Black	26 633 892-33
	Brushed Champagne (22kt Gold)	26 633 892-46
	Champagne (22kt Gold)	26 633 892-47
	Brushed Chrome	26 633 892-93
	Brushed Dark Platinum	26 633 892-99

Required miscellaneous

	<b>Hand shower</b>	28 015 979-06
--	--------------------	---------------

Required miscellaneous

	<b>Hand shower</b>	28 012 979-06
--	--------------------	---------------

Required miscellaneous

	<b>Hand shower</b>	28 016 979-06 0010
--	--------------------	-----------------------

Required miscellaneous

	<b>Hand shower</b>	28 012 979-06 0010
--	--------------------	-----------------------

Required miscellaneous

	<b>Hand shower</b>	28 018 979-06
--	--------------------	---------------

Required miscellaneous

	<b>Hand shower</b>	28 015 979-06 0010
--	--------------------	-----------------------

Required miscellaneous

	<b>Hand shower</b>	28 017 979-06 0010
--	--------------------	-----------------------

Required miscellaneous

	<b>Hand shower</b>	28 017 979-06
--	--------------------	---------------

Required miscellaneous

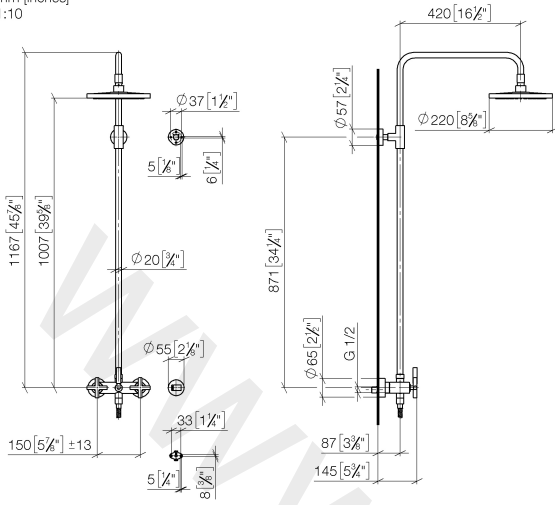
	<b>Hand shower</b>	28 016 979-06
--	--------------------	---------------

Required miscellaneous

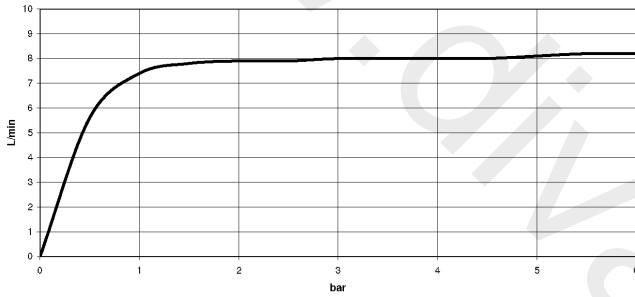
	<b>Hand shower</b>	28 018 979-06 0010
--	--------------------	-----------------------

ST 050 303 4892

mm [inches]  
1:10

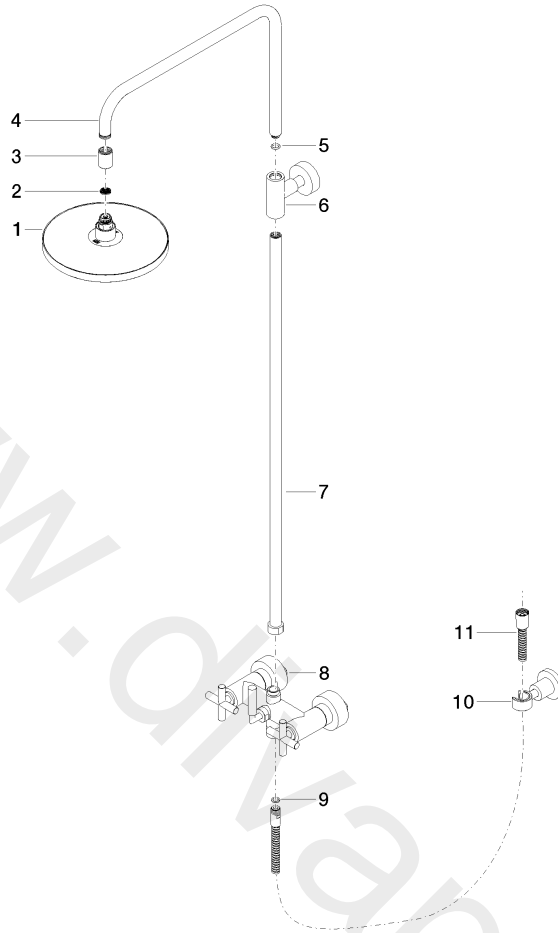


**Flow rate chart**



ST 050 303 4892

Parts for other finishes can be found here: [Chrome](#)



**Spare parts list**

No.	Item Number	Name	Quantity used	Delivery time
1	04 12 05 092 00-06	shower	1	10
2	09 23 01 039 90	sieve	1	2
3	09 24 03 177 20-06	adaptor	1	10
4	04 28 22 101 20-06	spout	1	10
5	09 14 10 011 90	seal	1	2
6	90 17 11 037 00-06	holder	1	10
7	90 28 22 096 00-06	pipe	1	10
8	04 17 10 020 01-06	fitting	1	10
9	09 14 20 026 90	seal	1	2
10	28 050 892-06	Wall bracket	1	10
11	28 304 970-06	Metal shower hose 1/2" x 3/8" x 1500 mm	1	2

ST 050 303 4892



- three settings: normal flow, soft flow, massage flow
- with anti-scale system
- spray head Ø 100mm
- 1/2" connection
- max. flow 15 l/min
- WRAS: 1704043
- This product can help a building to meet requirements of Green Building Rating Systems, e.g. LEED®, BREEAM®, DGNB, WELL

Intrinsic protection against back flow.

Fits: IMO, LULU, MADISON, MEM, TARA, CL.1, LISSÉ, VAIA, META, SERIES-VARIOUS, CYO

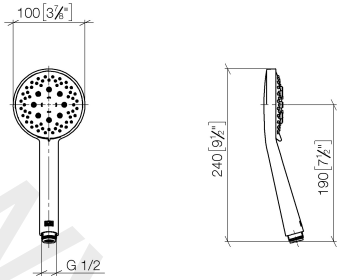
Fits MEM, CL.1, IMO, META, TARA, VAIA, LULU, LISSÉ, CYO

	Brushed Platinum	28 018 979-06
	Chrome	28 018 979-00
	Platinum	28 018 979-08
	Matte White	28 018 979-10
	Dark Chrome	28 018 979-19
	Brushed Durabross (23kt Gold)	28 018 979-28
	Matte Black	28 018 979-33
	Brushed Champagne (22kt Gold)	28 018 979-46
	Champagne (22kt Gold)	28 018 979-47
	Brushed Chrome	28 018 979-93
	Brushed Dark Platinum	28 018 979-99

www.divapor.com

ST 050 303 4892

mm [inches]



Flow rate chart

