

34 459 892



Fits: TARA, VAIA, META

- shower with fixed riser projection 452 mm
- overhead shower: rain flow
- rain shower Ø 220 mm
- rain shower with anti-scale system
- max. rainshower flow 8.6 l/min
- rotary diverter with volume control and shut-off function
- slide-on rosettes Ø 70 mm
- height of fittings up to rain shower (bottom edge) 963mm
- height of fittings up to top edge of elbow 1267mm
- gauge 150 mm - 13 mm
- metal shower hose 1750mm with integrated anti-twist protection
- 1/2" connection
- slide bar
- Pipe diameter 23.5 mm
- quick clearing
- This product can help a building to meet requirements of Green Building Rating Systems, e.g. LEED®, BREEAM®, DGNB, WELL

This article does not include a hand shower!

Intrinsic protection against back flow.

Fits META, TARA, VAIA

Product change as of 1.4.2023: max. flow 7 l/min

	Brushed Platinum	34 459 892-06
	Chrome	34 459 892-00
	Platinum	34 459 892-08
	Matte White	34 459 892-10
	Dark Chrome	34 459 892-19
	Brushed Durabrass (23kt Gold)	34 459 892-28
	Matte Black	34 459 892-33
	Brushed Champagne (22kt Gold)	34 459 892-46
	Champagne (22kt Gold)	34 459 892-47
	Brushed Chrome	34 459 892-93
	Brushed Dark Platinum	34 459 892-99

Required miscellaneous

	Hand shower	28 015 979-06 0010
--	--------------------	-----------------------

Required miscellaneous

	Hand shower	28 017 979-06 0010
--	--------------------	-----------------------

Required miscellaneous

	Hand shower	28 017 979-06
--	--------------------	---------------

Required miscellaneous

	Hand shower	28 016 979-06
--	--------------------	---------------

Required miscellaneous

	Hand shower	28 018 979-06
--	--------------------	---------------

Required miscellaneous

	Hand shower	28 012 979-06
--	--------------------	---------------

Required miscellaneous

	Hand shower	28 016 979-06 0010
--	--------------------	-----------------------

Required miscellaneous

	Hand shower	28 012 979-06 0010
--	--------------------	-----------------------

Required miscellaneous

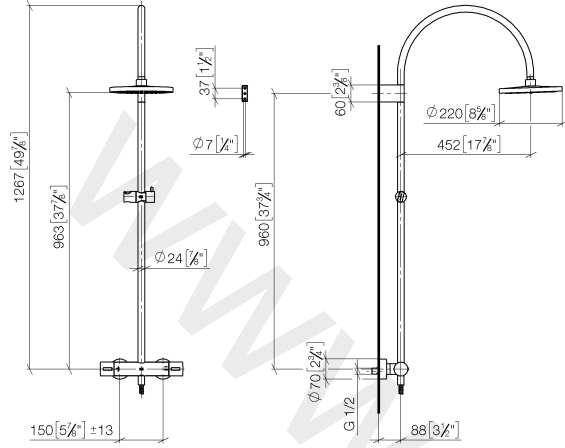
	Hand shower	28 019 979-06
--	--------------------	---------------

Required miscellaneous

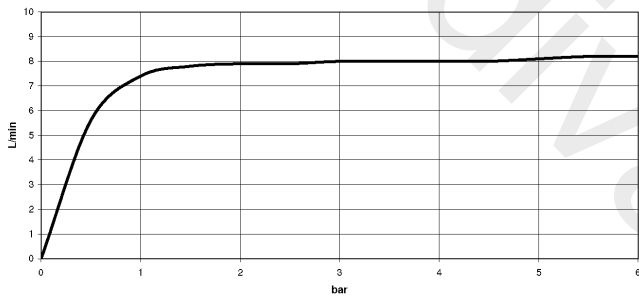
	Hand shower	28 018 979-06 0010
--	--------------------	-----------------------

34 459 892

mm [inches]
M 1:10

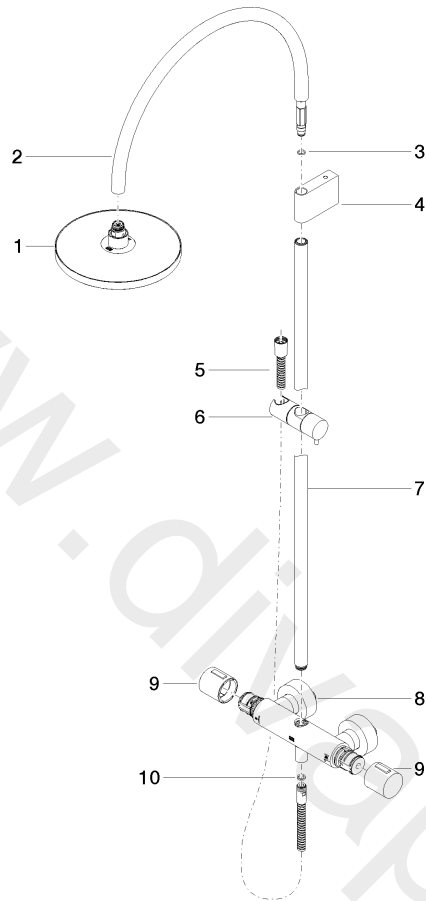


Flow rate chart



34 459 892

Parts for other finishes can be found here: [Chrome](#)



Spare parts list

No.	Item Number	Name	Quantity used	Delivery time
1	04 12 05 092 00-06	shower	1	10
2	04 28 22 346 00-06	pipe	1	10
3	09 14 10 008 90	seal	1	2
4	90 17 11 150 00-06	holder	1	10
5	28 322 970-06	Metal shower hose 1/2" x 3/8" x 1750 mm	1	2
6	12 570 970-06	Slide unit	1	10
7	90 28 22 349 00-06	pipe	1	10
8	04 17 01 250 00-06	connection	1	10
9	90 17 33 015 00-06	handle	1	10
10	09 14 20 026 90	seal	1	2