

# SPECIFICATION SHEET

**COLLECTION:** ELEMENTS

**PRODUCT CODE:** CUC-1063-S/S



**DESCRIPTION:**

Elements  
mono kitchen mixer  
deck mounted  
with swivel spout  
cold ceramic cartridge C-207-RTC  
hot ceramic cartridge C-207-LTC  
minimum operating pressure 0.5 bar LP

**FINISH:**

Stainless Steel

**FLOW REGULATOR:**

FR-100/5-PLA

**MINIMUM OPERATING PRESSURE:**

0.5 bar LP



tel: 01934 744466  
email: sales@vado.com  
www.vado.com

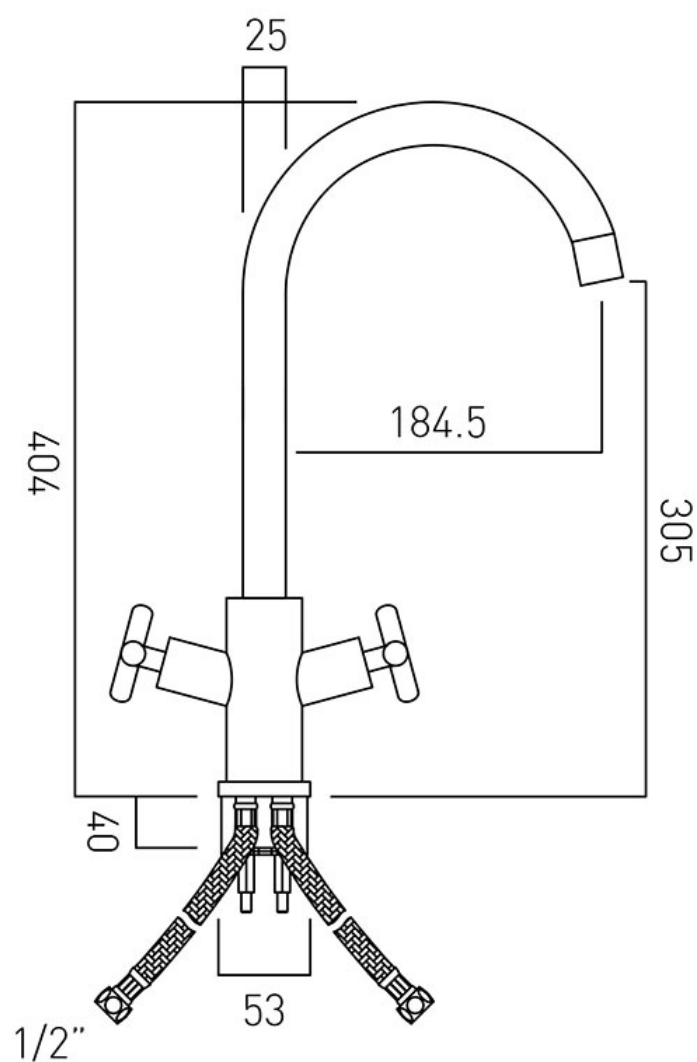
**where inspiration flows**  
taps | showering | accessories



# TECHNICAL DRAWING

**COLLECTION:** ELEMENTS

**PRODUCT CODE:** CUC-1063-S/S



tel: 01934 744466  
email: sales@vado.com  
www.vado.com

**where inspiration flows**  
taps | showering | accessories

