

SPECIFICATION SHEET

COLLECTION: CHELSEA

PRODUCT CODE: CHE-100-C/P



DESCRIPTION:

mono basin mixer
single lever
deck mounted
with pop-up waste
with water flow aerator
with water flow straightener
ceramic cartridge CAR-K40B
2 x 1/2" (nut) x 300mm flexipipe connections
deck mount drill hole diameter 32mm
minimum operating pressure 0.2 bar LP

FINISH:

Chrome

FLOW REGULATOR:

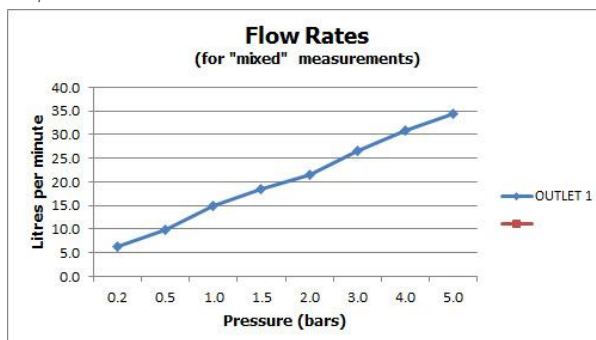
FR-100/5-PLA

MINIMUM OPERATING PRESSURE:

0.2 bar LP

FLOW RATE AT 3.0 BAR FLOW PRESSURE:

27 l/min



15 year guarantee

tel: 01934 744466
email: sales@vado.com
www.vado.com

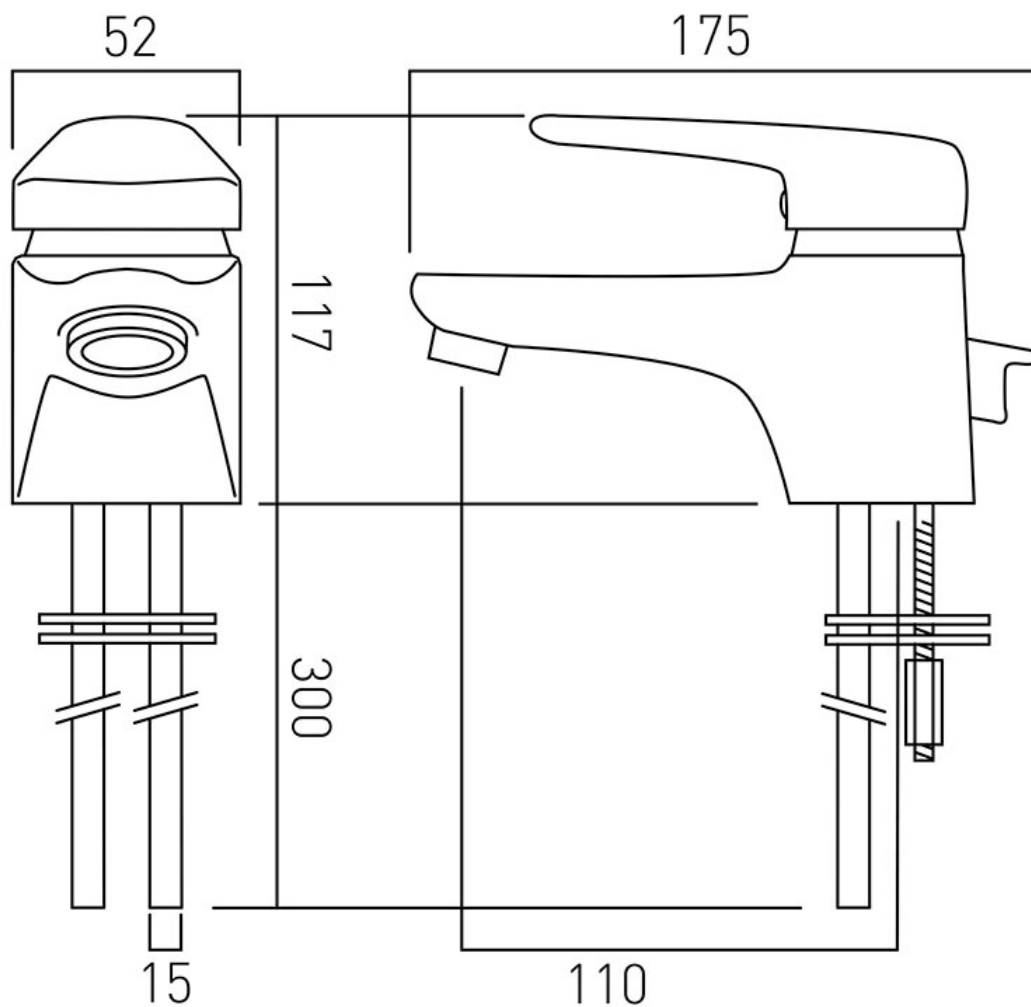
where inspiration flows
taps | showering | accessories



TECHNICAL DRAWING

COLLECTION: CHELSEA

PRODUCT CODE: CHE-100-C/P



tel: 01934 744466
email: sales@vado.com
www.vado.com

where inspiration flows
taps | showering | accessories

