

ISTRUZIONI DI MONTAGGIO

IT

FITTING INSTRUCTIONS

EN

INSTRUCTIONS DE MONTAGE

FR

INSTRUCCIONES DE MONTAJE

ES

Инструкции по монтажу

RU

إرشادات خاصة في تركيب

AR

BELMONDO



BT250



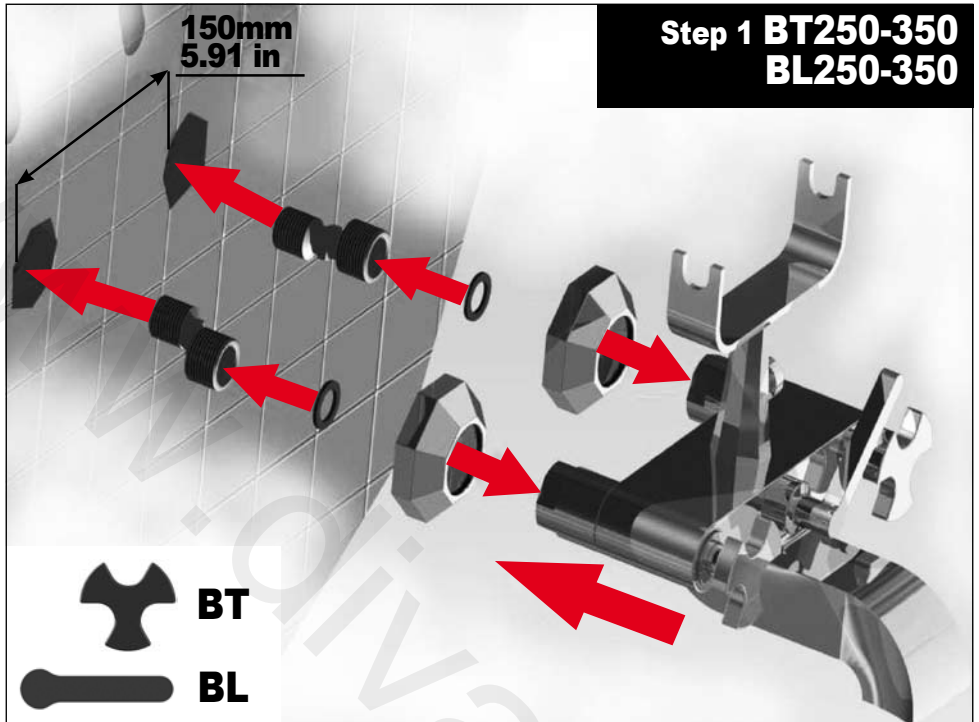
BL250



BT350

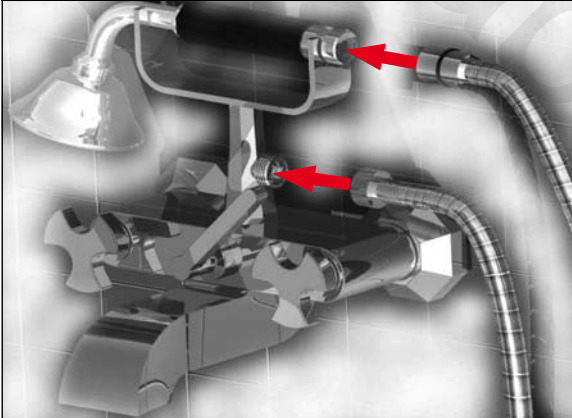


BL350

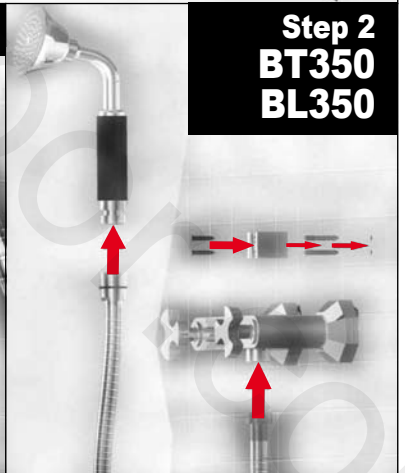


Step 1 BT250-350 BL250-350

Step 2 BT250 - BL250



Step 2 BT350 BL350



IMPORTANT

Pressure & Temperature Requirements.

- * Hot and cold water inlet pressures should be equal.
- * Inlet pressure range: 150-1000 kPa
- * New Regulation: -500 kPa maximum operating pressure at any outlet within a building. (Ref. AS/NZS 3500.1-2003, Clause 3.3.4)
- * Maximum hot water temperature: 80°C.



www.ibrubinetterie.it

IB RUBINETTERIE s.p.a.

via dei Pianotti 3/5
25068 Sarezzo (BS)

phone +39 030 802101

fax +39 030 803097

ibrubinetterie@ibrubinetterie.it

www.ibrubinetterie.it