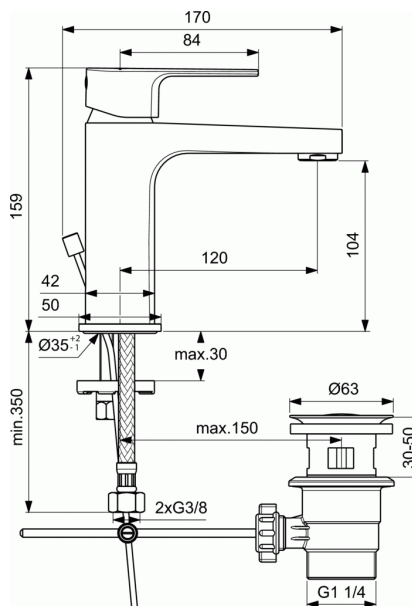


CERAFINE D

One-hole basin mixer H105 with plastic pop-up waste



One-hole basin mixer H105 with plastic pop-up waste

28 mm ceramic cartridge FirmaFlow® with hot water limiter
Metal handle with red and blue indicator
Slim aerator with 5 l/min flow rate limiter
Decorative rosette part of the body (one piece)
Easy-Fix system for installation
Flexible hoses G3/8" for water supply system connection
Plastic pop-up waste
Comply with EN817

FINISHES*



* AA = Chrome

To be launched in Apr 2020