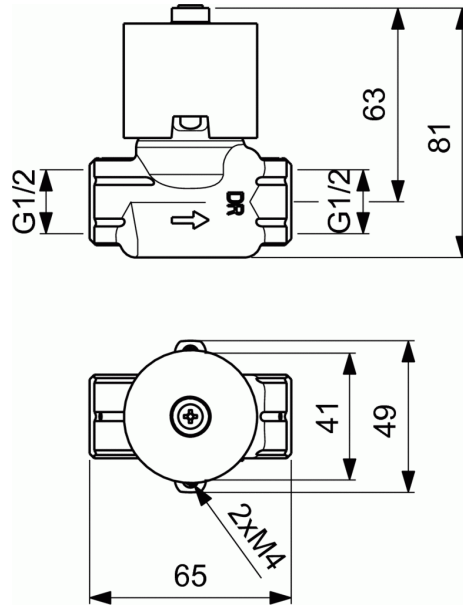


BUILT-IN PARTS

Built-in stop valve - kit 1



Built-in stop valve - kit 1

Kit 1 (inner kit) built-in stop valve G1/2, rubber sealing

FINISHES*



* NU = Neutral