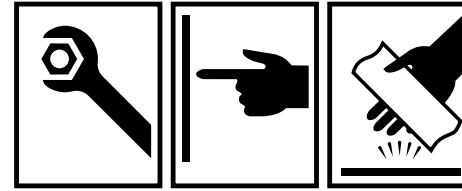
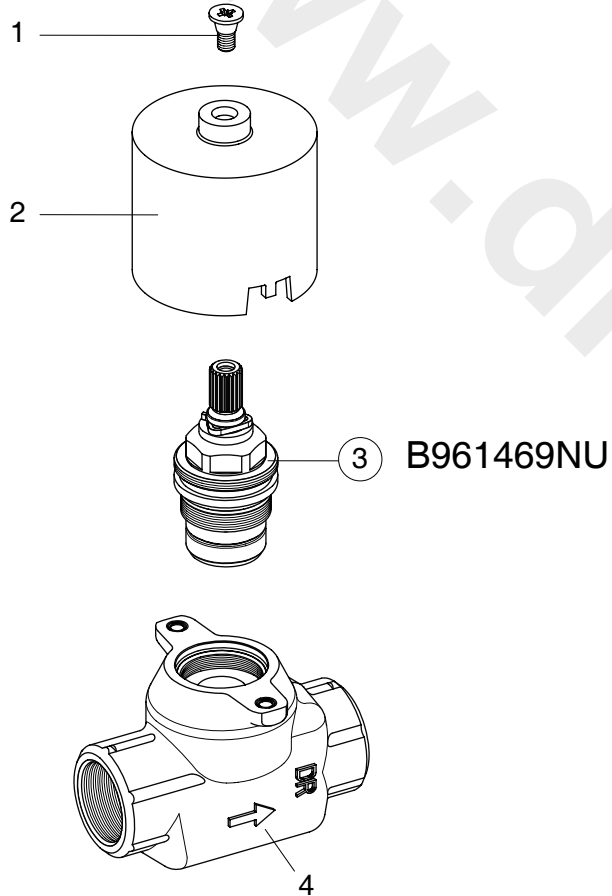


XX = AA, AD,

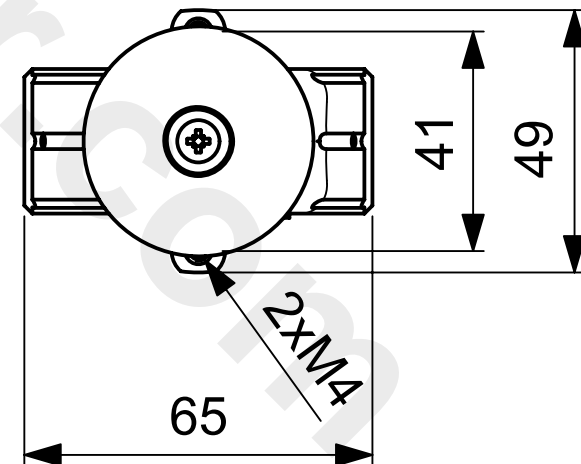
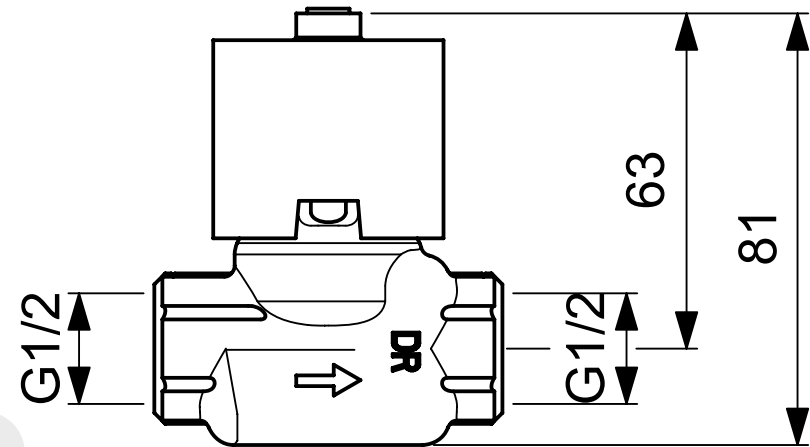


ALPHA

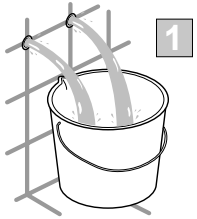


06.2019 / B665977

B C461 ..



Ideal Standard International NV
 Corporate Village – Gent Building
 Da Vincilaan 2
 1935 Zaventem
 Belgium
<http://www.idealstandardinternational.com>



 P bar	 MAX. 10	 5		 Q (3 bar)
 T °C	 MAX. 80	 65 40		 l/min 80

