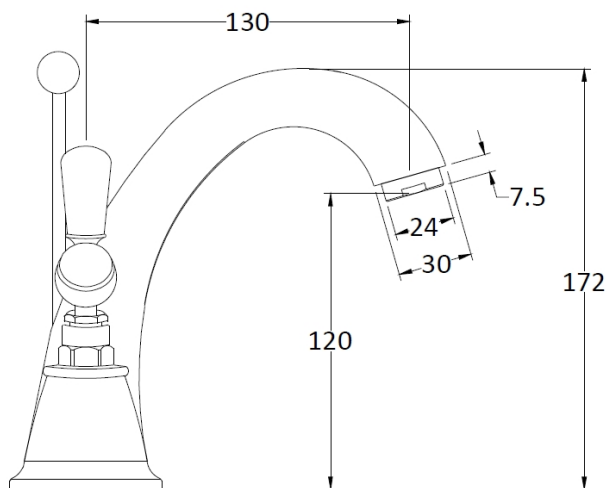
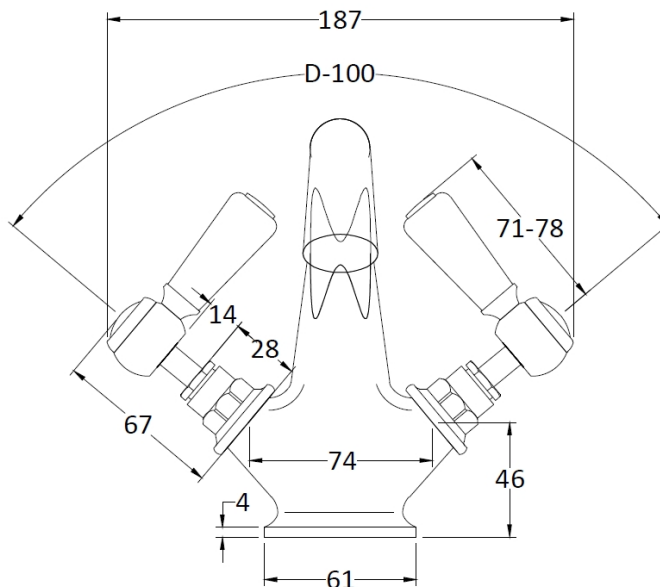


Sales Code: BC405HL

Description: Topaz Black Hex Lever Mono Basin Mixer



### Product Dimensions

|                   |     |
|-------------------|-----|
| Height (mm):      | 176 |
| Width (mm):       | 214 |
| Depth (mm):       | 158 |
| Length (mm):      |     |
| Nett Weight (kg): | 2.2 |

### Packaging Dimensions

|                    |     |
|--------------------|-----|
| Height (mm):       | 125 |
| Width (mm):        | 220 |
| Depth (mm):        | 390 |
| Gross Weight (kg): | 2.4 |

### Packaging Data

|               |                     |
|---------------|---------------------|
| Box Colour:   | White Cardboard Box |
| Box Qty:      | 1                   |
| Label Size:   | 100 x 50            |
| Label Colour: | White Label         |
| Label Qty:    | 1                   |

### Outer Box Dimensions (If Applicable)

|                    |               |
|--------------------|---------------|
| Height (mm):       | 395           |
| Width (mm):        | 415           |
| Depth (mm):        | 440           |
| Length (mm):       |               |
| Gross Weight (kg): |               |
| Barcode:           | 5055275871522 |

### Product Details

|                           |                       |
|---------------------------|-----------------------|
| Country of Origin:        | United Kingdom        |
| Fitting Instruction:      | Yes                   |
| Product Material:         | Brass                 |
| Control Type:             | Manual                |
| Waste Included:           | Waste Included        |
| Waste Type:               | Pop-Up                |
| WRAS Approval: No         | Approval No: N/A      |
| Valve/Cartridge Type:     | 1/4 Turn Ceramic Disc |
| Colour/Finish:            | Chrome                |
| Mount Type:               | Deck                  |
| Operating Pressure (bar): | 0.1                   |

|                              |                  |               |             |             |           |
|------------------------------|------------------|---------------|-------------|-------------|-----------|
| Flow Rates: (Litres Per Min) | 0.1 bar: 6.4     | 0.5 bar: 16.2 | 1 bar: 23.4 | 2 bar: 33.5 | 3 bar: 41 |
| Pipe Size:                   | 15 mm (1/2" Bsp) |               |             |             |           |
| Pipe Centres:                | N/A              |               |             |             |           |