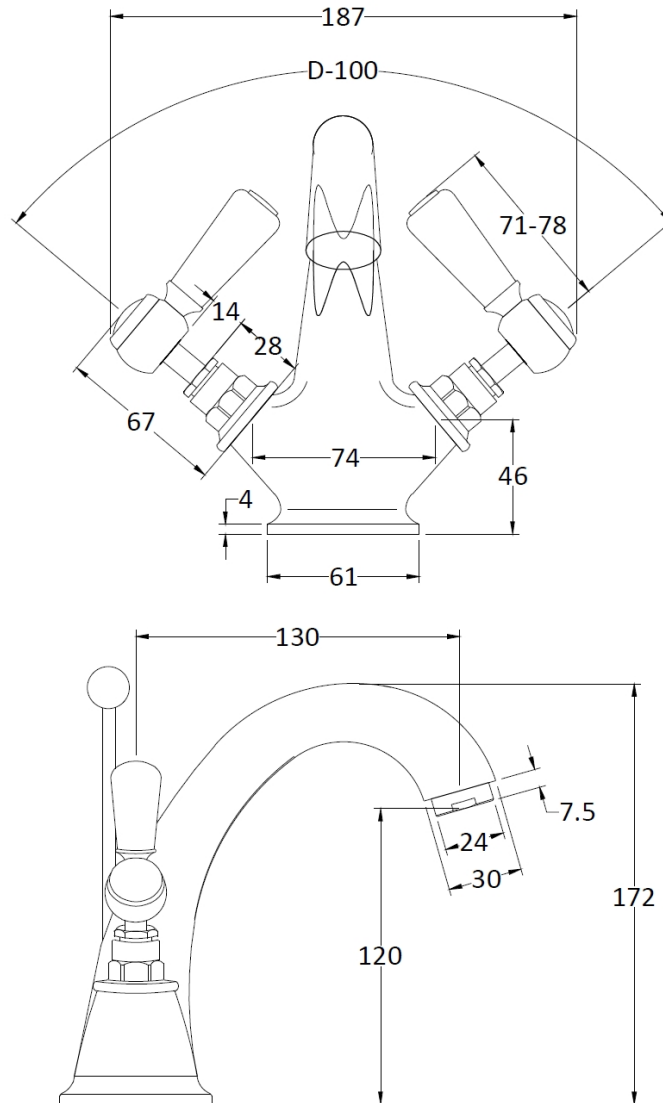


Sales Code: BC305HL

Description: Topaz Lever Mono Basin Mixer



Product Dimensions

Height (mm):	176
Width (mm):	214
Depth (mm):	185
Length (mm):	
Nett Weight (kg):	2.2

Packaging Dimensions

Height (mm):	125
Width (mm):	220
Depth (mm):	390
Gross Weight (kg):	2.4

Packaging Data

Box Colour:	White Cardboard Box
Box Qty:	1
Label Size:	100 x 50
Label Colour:	White Label
Label Qty:	1

Outer Box Dimensions (If Applicable)

Height (mm):	395
Width (mm):	415
Depth (mm):	440
Length (mm):	
Gross Weight (kg):	
Barcode:	5055275871461

Product Details

Country of Origin:	United Kingdom
Fitting Instruction:	Yes
Product Material:	Brass
Control Type:	Manual
Waste Included:	Waste Included
Waste Type:	Pop-Up
WRAS Approval: No	Approval No: N/A
Valve/Cartridge Type:	1/4 Turn Ceramic Disc
Colour/Finish:	Chrome
Mount Type:	Deck
Operating Pressure (bar):	0.1
Flow Rates: (Litres Per Min)	0.1 bar: 6.4 0.5 bar: 16.2 1 bar: 23.4 2 bar: 33.5 3 bar: 41
Pipe Size:	15 mm (1/2" Bsp)
Pipe Centres:	N/A