

CERALINE

Single Lever & Dual Control Bathroom Fittings

INSTALLATION INSTRUCTIONS

BC184AA - Basin Pillar Tap (pair)

BC185AA - One Hole Mini Basin Mixer

BC186AA - One Hole Basin Mixer
with Clicker Waste

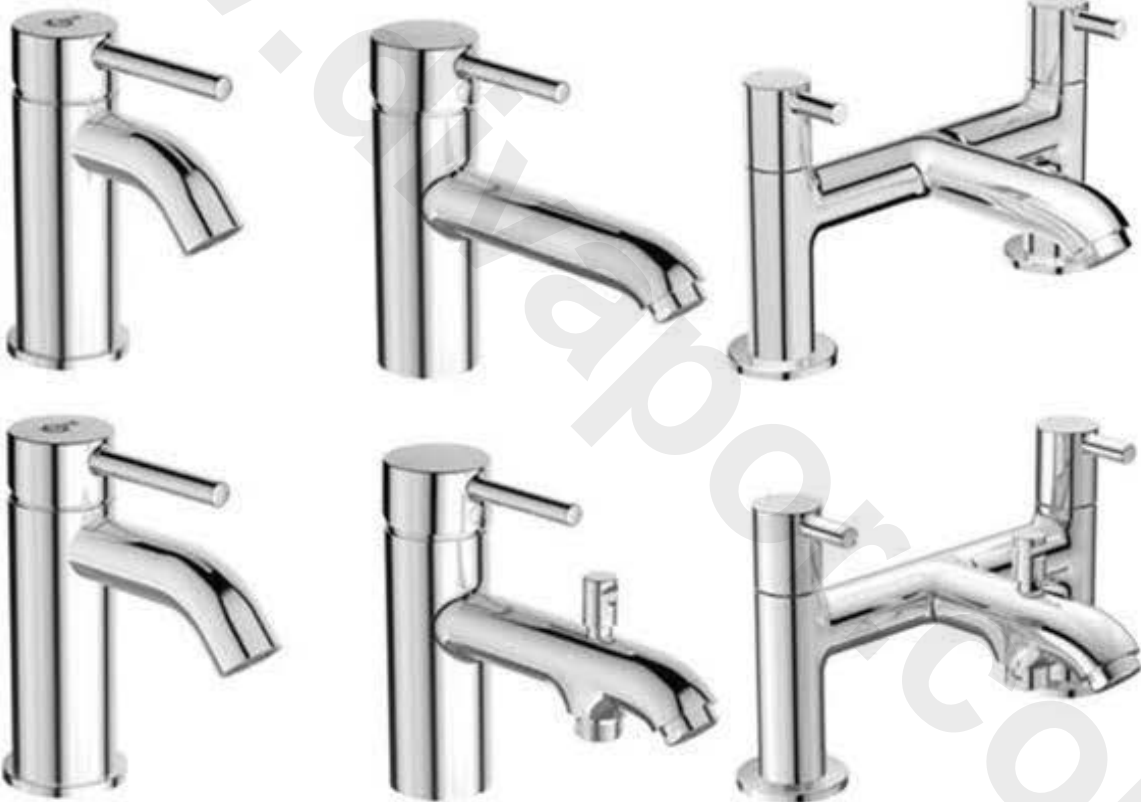
BC187AA - Bath Pillar Tap (pair)

BC188AA - Two Hole Bath Filler

BC189AA - Two Hole Bath Shower Mixer

BC190AA - One Hole Bath Filler

BC191AA - One Hole Bath Shower Mixer

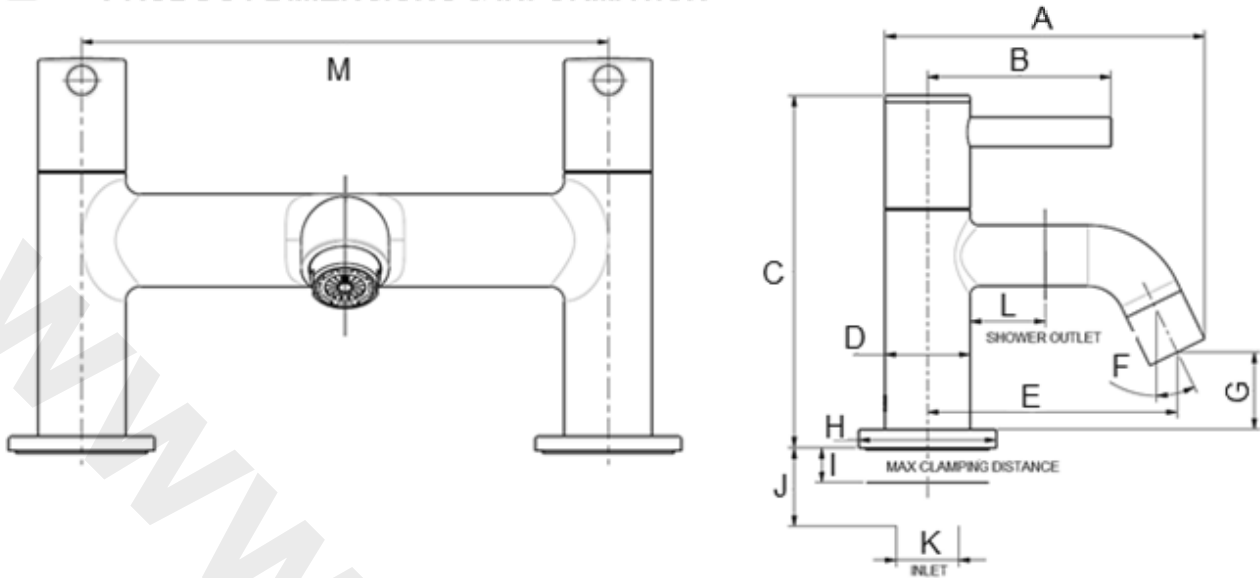


IMPORTANT
BEFORE CONNECTION, FLUSH WATER THROUGH PIPEWORK TO REMOVE
ALL DEBRIS ETC. WHICH COULD DAMAGE THE VALVE MECHANISM

INSTALLER: After installation please pass this instruction leaflet to user



2 PRODUCT DIMENSIONS & INFORMATION



Dim (mm)	SKU	BC184AA	BC185AA	BC186AA	BC187AA	BC188AA	BC189AA	BC190AA	BC191AA
A		105	111	131	110	138	138	186	186
B		60	84	84	81	40	40	85	85
C		116	139	147	127	134	134	158	158
D		Ø 28	Ø42	Ø42	Ø34	Ø30	Ø30	Ø47	Ø47
E		82	80	100	82	114	114	154	154
F		26°	40°	40°	24°	40°	40°	40°	40°
G		31	68	76	33	56	56	68	68
H		Ø45	Ø50	Ø50	Ø51	Ø50	Ø50	-	-
I		30	30	30	30	40	40	40	40
J		51	350	350	51	49	49	350	350
K		G1/2	G3/8	G3/8	G3/4	G3/4	G3/4	G1/2	G1/2
L		-	-	-	-	-	60	-	-
M		-	-	-	-	180	180	-	-

SKU	MIN. OPERATING PRESSURE (bar)	FLOW STRAIGHTENER FITTED	PCA SL/min FITTED	INLET PIPE CONNECTION TYPE	FLEXIBLE TAILS
BC184AA	0.2	✓	-	15 mm	-
BC185AA	1.0	In the box	✓	15 mm	✓
BC186AA	1.0	In the box	✓	15 mm	✓
BC187AA	0.5	✓	-	22 mm	-
BC188AA	0.2	✓	-	22 mm	-
BC189AA	0.2	✓	-	22 mm	-
BC190AA	1.0	✓	-	15 mm	✓
BC191AA	1.0	✓	-	15 mm	-

Back Flow prevention

Hot & cold water supply pressures should be reasonably balanced, however, when installing mixers, check valves must be installed on hot & cold supply to prevent the possibility of back flow under any conditions.

The fittings covered by this installation and maintenance instruction should be installed in accordance with the water regulations published in 1999*, therefore Ideal Standard would strongly recommend that these fittings are installed by a professional installer

*A guide to the Water Supply (Water Fittings) Regulations 1999 and the Water Byelaws 2000, Scotland is published by WRAS (Water Regulations Advisory Scheme) Unit 13, Willow Road, Pen-y-Fan Industrial Estate, Crumlin, Gwent, NP11 4EG. ISBN 0-9539708-0-9

3

FIXATION

Installation

Flush water through the pipework before connecting the fittings.

Insert the fitting through the tap hole ensuring the o-ring seal or gasket is positioned above the tap platform and is seated evenly on its top surface.

Tighten the backnuts or sleeve nuts.

(Figure 2)

IMPORTANT NOTE

The one hole bath filler is designed for a corner installation (see Fig 1) or a position along the front side rim of the bath.

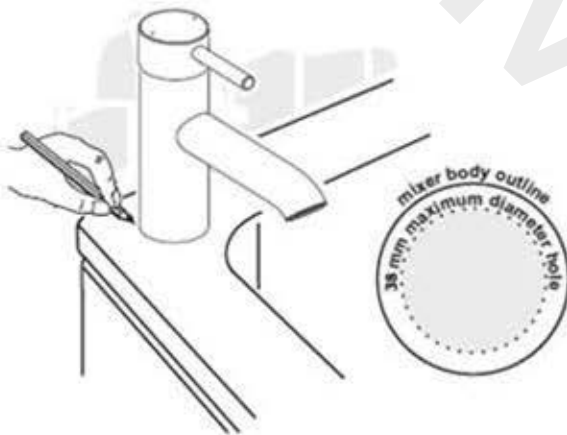


Figure 1
Tap hole details for S/L bath fillers BC190 & BC191

The Ceraline bath fitting requires a bath supplied without tap holes. The installer will have to drill a 38 mm diameter hole in the rim. Before this is done the following will have to be considered.

If located directly in line with the bath waste (plug) overflow may foul the under-parts of the fitting.

If a shower screen is to be fitted it could foul the fitting.

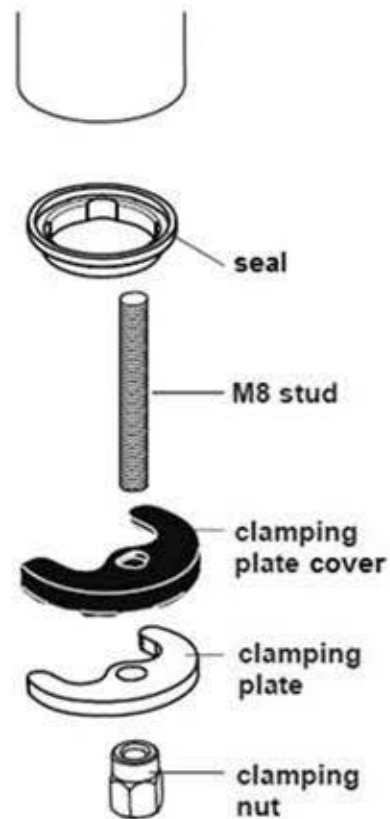


Figure 2

Before fitting, Offer up the bath S/L in the intended location and check for free movement of the lever. Draw a pencil line around the base (Figure 1)

In the center of the of the outline, drill the 38 mm hole. (Figure 1)

Place the seal in the groove on the underside of the fitting base.

Place the fitting concentrically in the new tap hole and ensure the seal is seated correctly on top of the bath. The plate and cover must be placed against the underneath surface of the bath tap deck. Tighten the sleeve fixation nuts until the fitting is secure.

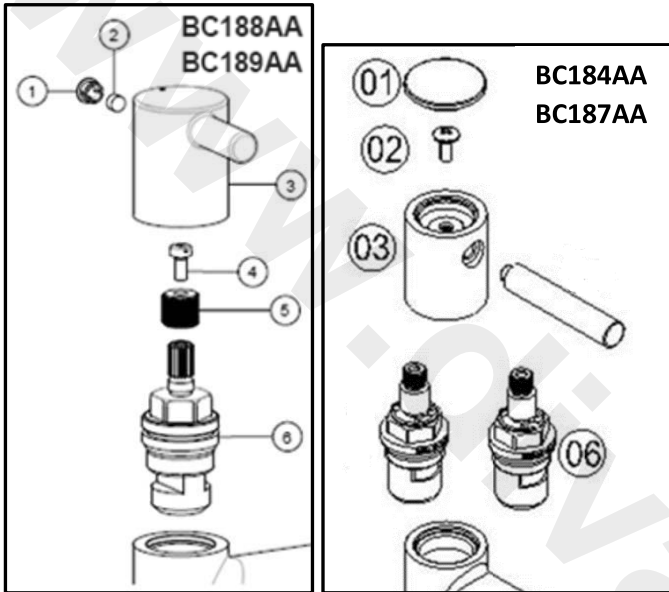
(Figure 2)

4

HANDLE FIXATION & CARTRIDGE REPLACEMENT

Always turn off water supplies before replacing a cartridge

Quarter turn cartridge



2 Hole bath mixers

Bath & basin pillar taps

Figure 3

The pillar taps and 2 hole bath fittings employ quarter turn cartridges. These are replaced as follows:

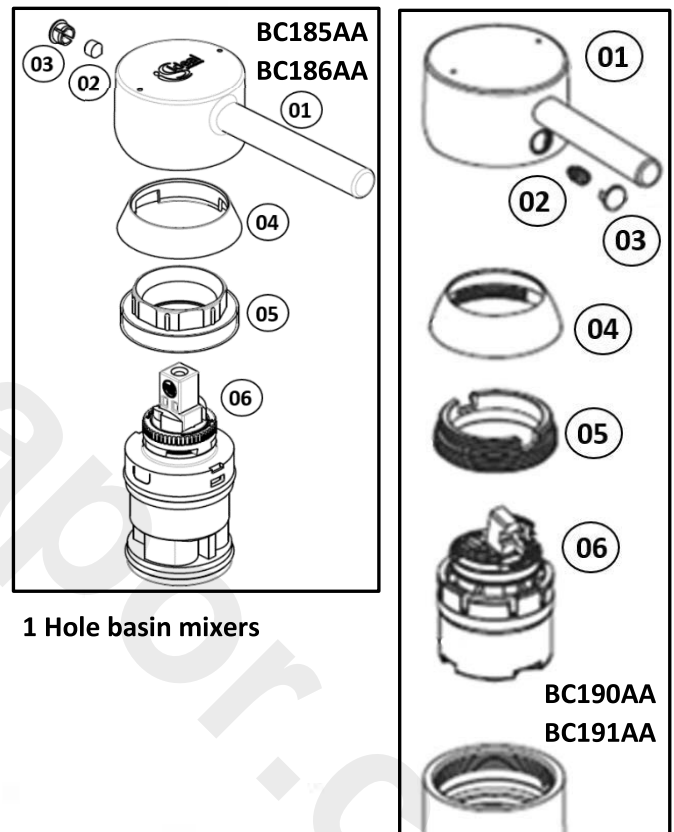
Remove handle by first removing screw hole cap (1) the handle (3) - then unscrew grub screw (2). Pull off the handle (3). Unscrew cartridge screw (4) and pull off drive insert (5). Cartridge (6) can then be unscrewed. (Figure 3)
Replace in reverse order.

Single lever cartridge

Refer to Figure 4. Remove handle by first removing on screw hole cap on the handle (3) Unscrew grub screw (2) and pull off handle body (1). Pull off shroud (4). Unscrew cartridge retaining nut (5) and lift out the cartridge (6)
Replace in reverse order.

When fitting the new cartridge, care must be exercised to ensure the plastic location pin on the cartridge base engages in the location hole inside the fitting body and not into one of the water inlet ports.

When tightening the retaining nut which both locates and seals the cartridge, care must be taken not to over-tighten.



1 Hole basin mixers

BC190AA
BC191AA

1 Hole bath mixers

Figure 4

Figure 5 Single lever cartridge assembly

The ideal torque is 4 Nm. This is only a little more than hand tight - indeed it is possible to tighten the nut sufficiently wearing stout gloves. If over-tightened the cartridge will be stiff to operate and will have a limited life.

5

SETTING THE BLEND CONTROL

The Ceraline single lever fittings employ multiport cartridges which have a blend control mechanism. This is a simple mechanical limit stop located under the single lever handle which restricts the angle to which the handle can be rotated towards the full hot position.

To set it, the hot water system should be on and the hot water up to normal working temperature. A thermometer will be required to measure the maximum blend temperature.

Remove the handle as previously described and pull off shroud. (Figure 4)

The blend control stop (round shaped plastic moulding - shown shaded) can then be removed. In its factory set position "0" - shown in Figure 5 - it does not limit the lever handle movement therefore the water temperature will be at its highest. Insert the limit stop in position 4 - shown shaded in Figure 5. Operate the fitting and measure the mixed water temperature at the maximum setting. If not high enough, reposition the stop in position 3 and check the temperature again. Repeat the process until the temperature at the maximum temperature position is satisfactory. Refit the shield and handle and check that the maximum blend temperature remains unchanged.

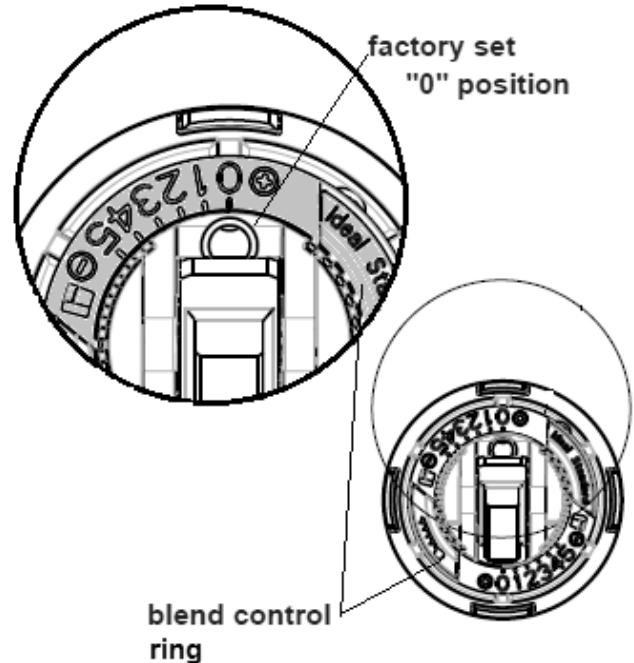


Figure 5
Setting the blend control

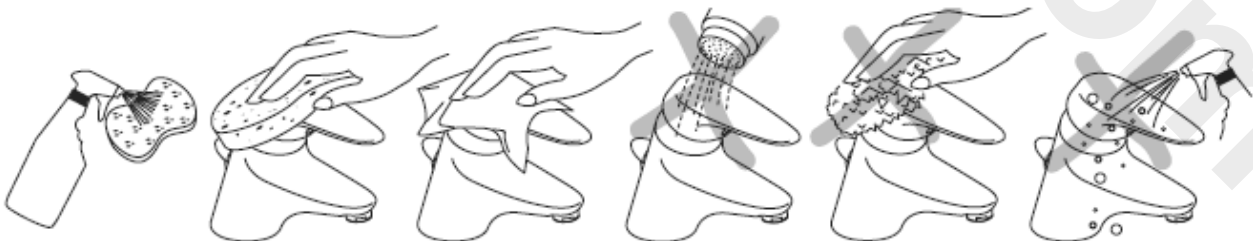
SAFETY FOR THE USER

The fittings are not thermostatically controlled and outlet temperatures depend on the position of the control handle, the hot and cold temperatures and pressures. If cold water supply fails for any reason, only hot water at its maximum temperature will be delivered.

Before using the handspray check that the temperature of the mixed water is satisfactory.

Young children, the elderly and infirm should be supervised when using the bath or handspray.

CLEANING CHROME SURFACES



When cleaning chromed products use only a mild detergent, rinse & wipe dry with a soft cloth. Ideally clean after each use to maintain appearance.

Never use abrasive, scouring powders or scrapers. Never use cleaning agents containing alcohol, ammonia, hydrochloric acid, sulphuric acid, nitric acid, phosphoric acid or organic solvents. Use of incorrect cleaning products / methods may result in chrome damage which is not covered by the manufacturer's guarantee.

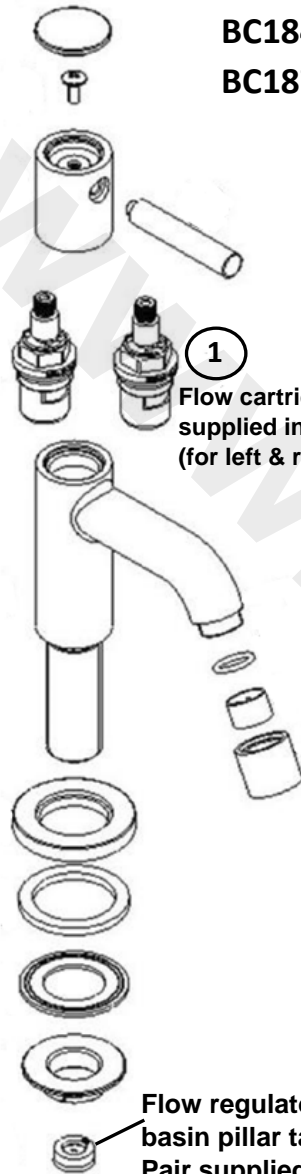
6 SPARE PARTS

1H BASIN MIXERS

BC185AA
BC186AA

BATH & BASIN PILLAR TAPS

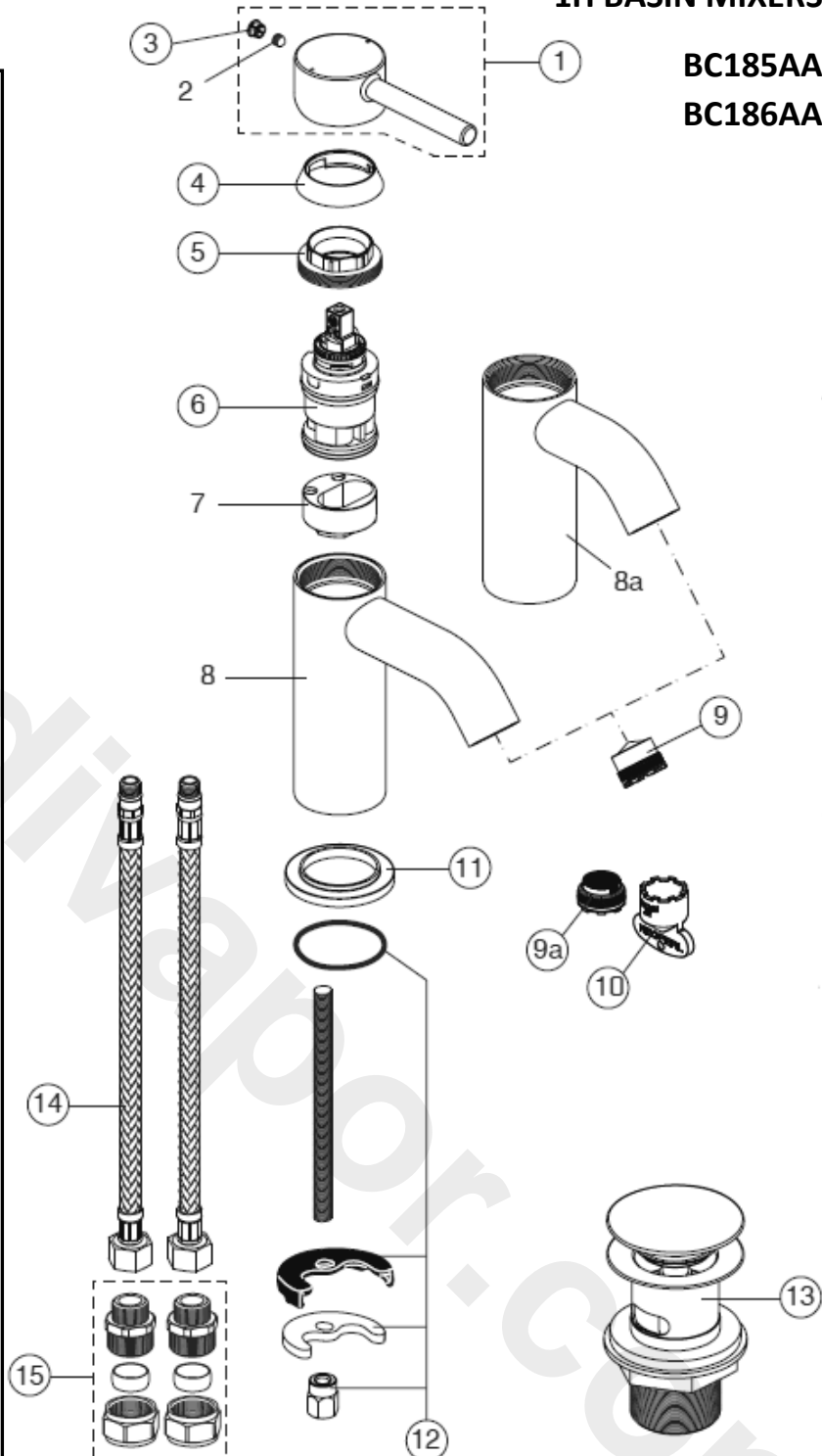
BC184AA
BC187AA



1
Flow cartridges
supplied in pairs
(for left & right taps).

Flow regulators with
basin pillar taps only.
Pair supplied in a bag
rated 6L/min. Fit if
required.

1. Flow cartridges (bath & basin)
G1/2" B961534NU (pair)



1H BASIN MIXERS

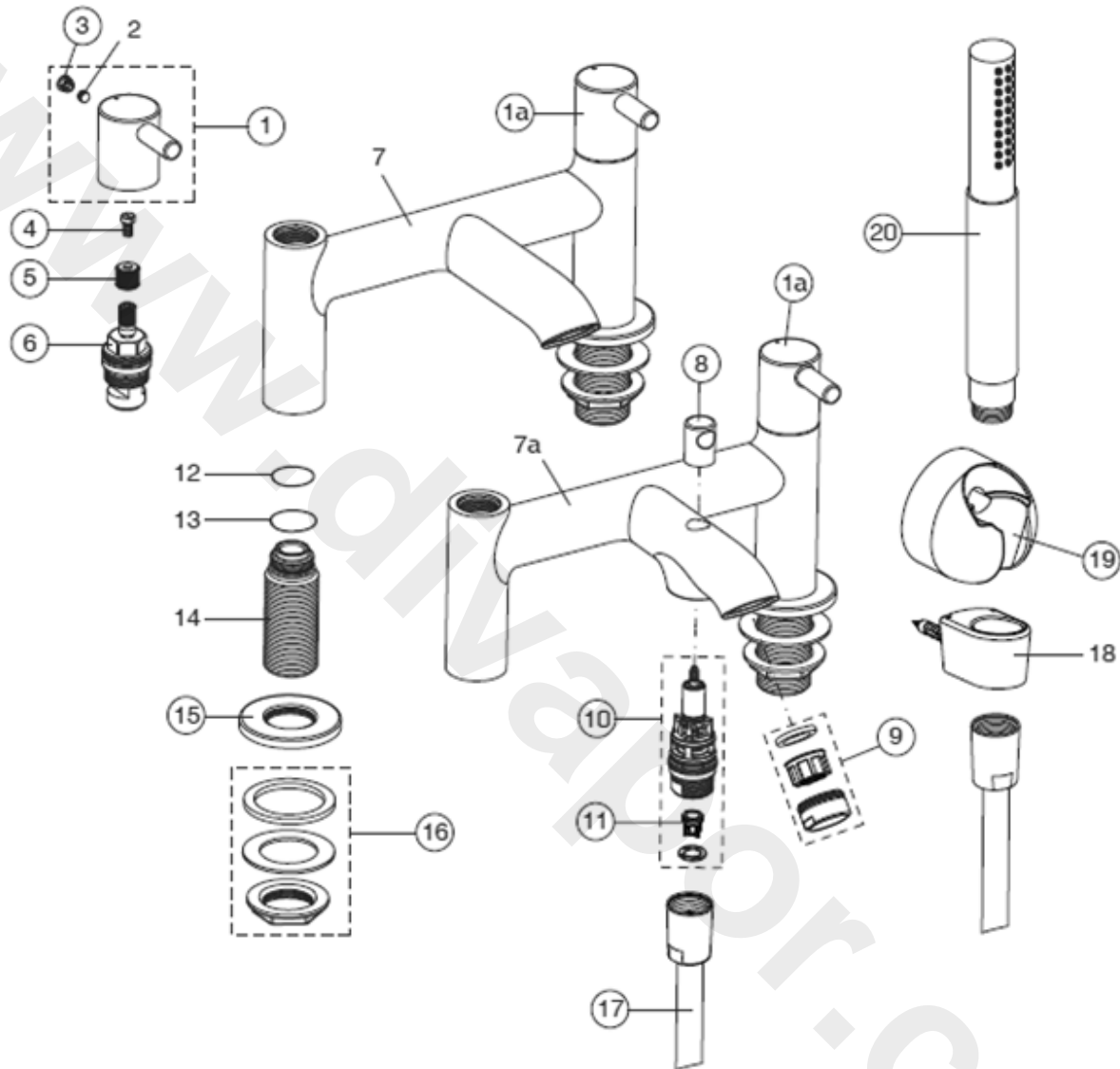
Pos.	Signify	Spare parts-Nr.	Quantity	Pos.	Signify	Spare parts-Nr.	Quantity
1	Lever, w/logo-set	B961520AA	1 Pcs.	12	Connecting set	B964702NU	1 Set
2	Screw M5x6		1 Pcs.	13	Click waste slotted	S8803AA	1 Pcs.
3	Block cap	A961157AA	1 Pcs.	14	Flex hose G3/8 /L445	A963600NU	1 Pcs.
4	Cap	B961473AA	1 Pcs.	15	Connector G3/8, Ø15	B960845NU	1 Set
5	Screw M38x1.5	B961474NU	1 Pcs.				
6	Cartridge Ø35mm	B961475NU	1 Pcs.				
7	Manifold		1 Pcs.				
8;8a	Body basin		1 Pcs.				
9	Flowstraitener cache junior M21.5x1	A960191NU	1 Pcs.				
9a+10	Neoperl M21.5x1-5 l/min cache junior	B960889NU	1 Pcs.				
10	Service key	B960654NU	1 Pcs.				
11	Rosette decorative	B960712AA	1 Pcs.				

7

BATH FILLER AND BATH SHOWER MIXER

BC188AA

BC189AA

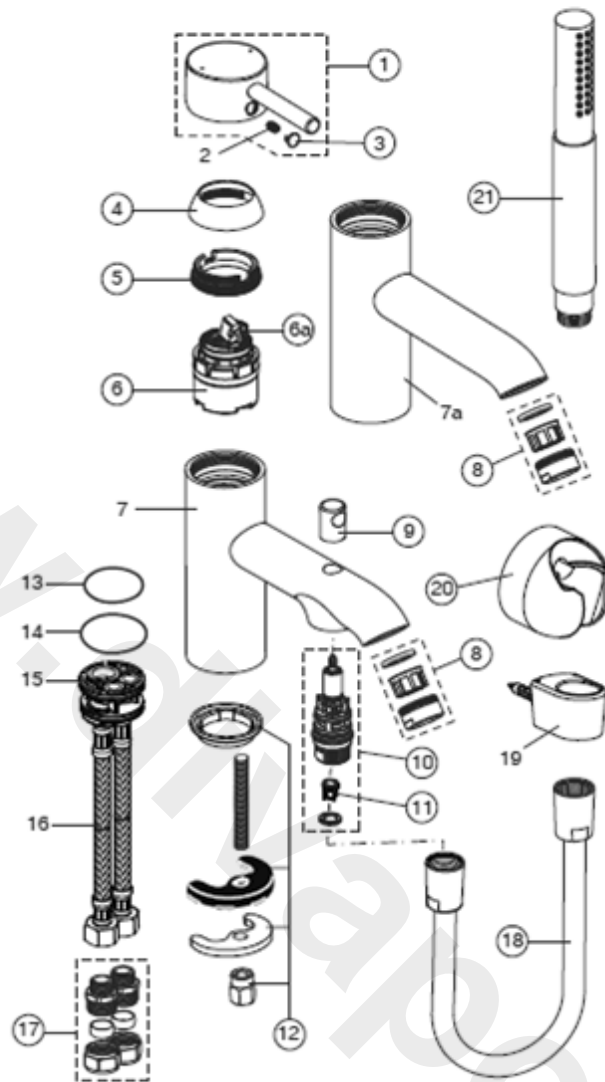


Pos.	Signify	Spare parts-Nr.	Quantity	Pos.	Signify	Spare parts-Nr.	Quantity
1	Handle(Red)-set	B961523AA	1 Pcs.	13	O-Ring Ø19x2.5		2 Pcs.
1a	Handle(Blue)-set	B961524AA	1 Pcs.	14	Connector G3/4		2 Pcs.
2	Screw M5x6		1 Pcs.	15	Rosette	B961145AA	1 Pcs.
3	Block cap	A961157AA	1 Pcs.	16	Connecting set	B960471NU	1 Set
4	Screw M4x8	B960223NU	2 Pcs.	17	Flexible hose G1/2 /L1800	A963173NU	1 Pcs.
5	Insert	B961326NU	1 Pcs.	18	Shower hose bracket		1 Pcs.
6	Cartridge G1/2"-90°-R	H960104NU	1 Pcs.	19	Wall bracket fixed	B9467AA	1 Pcs.
	Cartridge G1/2"-90°-L	H960136NU	1 Pcs.	20	Handspray	A960106AA	1 Pcs.
7;7a	Body bath/shower		1 Pcs.				
8	Pull knob	B960486AA	1 Pcs.				
9	Nozzle	A961625AA	1 Pcs.				
10	Diverter automatic	B960167AA	1 Pcs.				
11	Rv-patrone	A960944NU	2 Pcs.				
12	O-Ring Ø18.2x1.7		2 Pcs.				

8

PARTS - BATH FILLER AND BATH SHOWER MIXER

BC190AA
BC191AA



Pos.	Signify	parts-Nr.	Quantity	Pos.	Signify	parts-Nr.	Quantity
1	Lever w/logo-set	B961521AA	1 Pcs	11	Rv-patrone	A960944NU	2 Pcs
2	Screw M5x5		1 Pcs	12	Connecting set	A964520NU	1 Set
3	Cap decorative	B960473AA	1 Pcs	13	O-Ring Ø34x2		1 Pcs
4	Rosette M38x1.5	B961373AA	1 Pcs	14	O-Ring Ø38x2.5		1 Pcs
5	Screw M41x1.5/M38x1.5	B961374NU	1 Pcs	15	Manifold		1 Pcs
6+14	Cartridge Ø38mm	A861156NU*	1 Pcs	16	Flex hose G3/8/Ø10.5/L430		1 Pcs
6a	Hot limit stop	A861181NU	1 Pcs	17	Connector G3/8, Ø15	B960845NU	1 Set
7;7a	Body bath/shower		1 Pcs	18	Flexible hose G1/2 /L1800	A963173NU	1 Pcs
8	Nozzle	A961625AA	1 Pcs	19	Shower hose bracket		1 Pcs
9	Pull knob	B960436AA	1 Pcs	20	Wall bracket fixed B9467AA	B9467AA	1 Pcs
10	Diverter automatic	B960167AA	1 Pcs	21	Handspray A960106AA	A960106AA	1 Pcs

CUSTOMER CARE HELP LINE
0870 129 6085

CUSTOMER CARE FAX
01482 499611

E-MAIL
UKcustcare@idealstandard.com

Ideal Standard International NV
Corporate Village - Gent Building
Da Vincilaan 2
1935 Zaventem
Belgium

www.idealstandardinternational.com



Ideal Standard pursues a policy of continuing improvement in design and performance of its products.

This right is therefore reserved to vary specification without notice.

Ideal Standard is a division of
Ideal Standard (UK) Ltd

Ideal Standard,
The Bathroom Works, National Avenue
Kingston-upon-Hull, HU 4HS, England

*Universal set (not all parts needed)

04/18 B665799