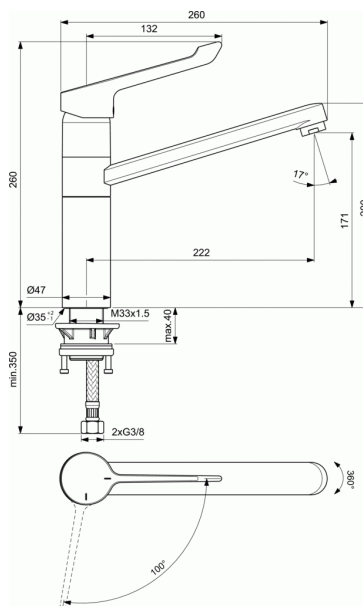


CERAFLEX

One-hole sink mixer BlueStart® with medical handle



One-hole sink mixer BlueStart® with medical handle

Tubular high attached spout

With medical handle

Brass body with soldered high attached tubular spout

Metal handle with red and blue colour indication - printed on handle

Cold water in central position BlueStart

Aerator Perlator M24x1

38 mm cartridge FirmaFlow® with hot water limiter + Click technology

Flexible hoses PEX G3/8"

Easy-Fix system for installation with centering & sealing ring

Comply with EN817

* could be used in professional kitchen applications (restaurants, canteens, bars) but also in certain healthcare application

FINISHES*



AA

* AA = Chrome

KEY FEATURES & BENEFITS

