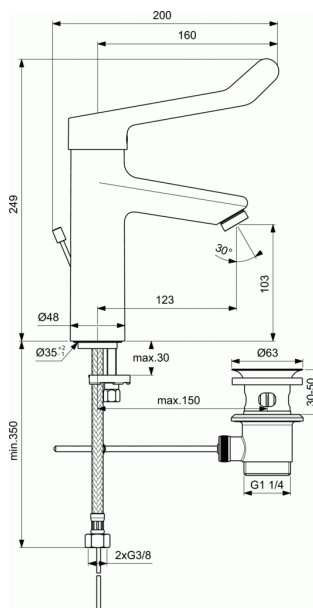


CERAPLUS 2

One-hole Grande basin mixer with medical handle and pop-up waste



One-hole Grande basin mixer with medical handle and pop-up waste

- Brass cast body with inclined self-draining spout
- Medical Metal handle with red and blue colour indication - printed on handle, 160 mm
- Metal pop-up waste
- Low-aerosol flow straightener in vandal proof housing
- Flow restrictor 8,4 l/min (inside cartridge)
- PEX flexible hoses G 3/8"
- 38 mm cartridge HWTC
- Easy fix system for installation
- Noise Class 1
- Comply with EN817
- All materials used in contact with drinking water are in accordance with KTW, ACS and WRAS requirements

FINISHES*



* AA = Chrome

KEY FEATURES & BENEFITS

