

---

# SPECIFICATION SHEET

**COLLECTION:** AXBRIDGE

**PRODUCT CODE:** BC-AXB-231-CP



**DESCRIPTION:**

Axbridge  
exposed bath shower mixer  
pillar mounted  
with shower kit  
lever handles  
with water flow straightener  
cold ceramic cartridge FL-511-RTC  
hot ceramic cartridge FL-511-LTC  
3/4" threaded connections (on legs)  
minimum operating pressure 1.0 bar MP

**FINISH:**

Chrome

**MINIMUM OPERATING PRESSURE:**

1.0 bar MP



---

**BOOTH & Co.**  
ENGLAND

Timeless Design. Pioneering Performance.

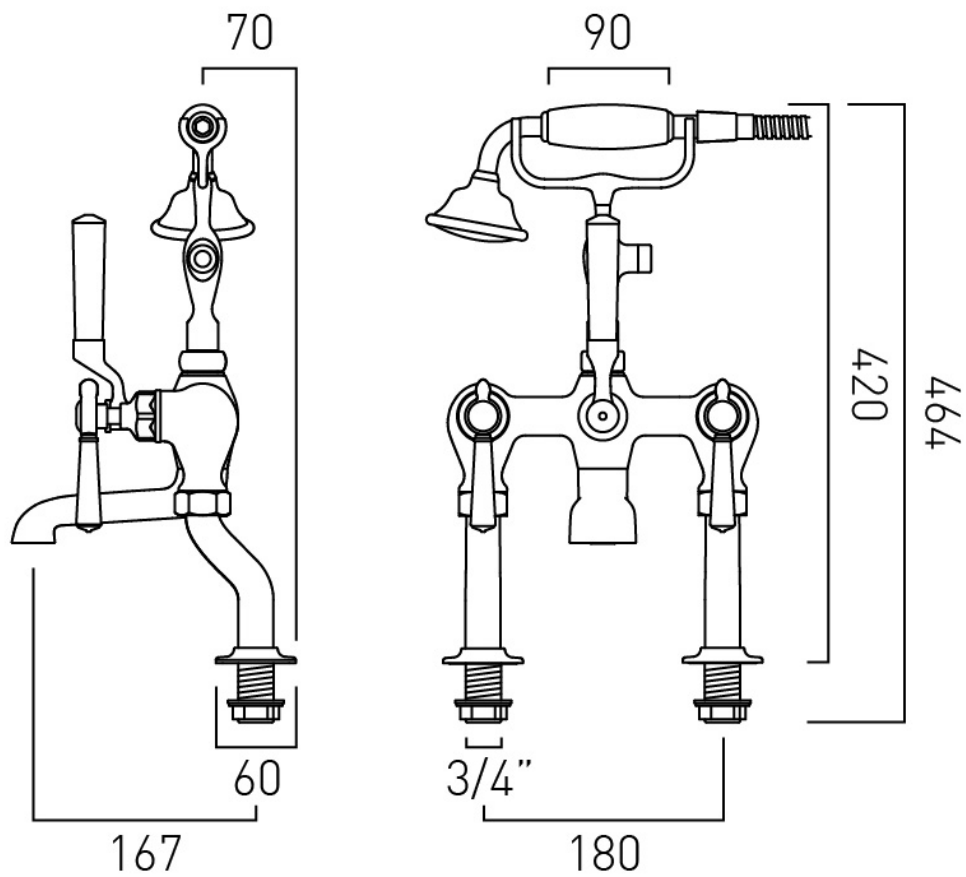
*Your journey to distinction awaits.*

01934 744466 | sales@vado.com | www.vado.com/booth-and-co

# TECHNICAL DRAWING

COLLECTION: AXBRIDGE

PRODUCT CODE: BC-AXB-231-CP



**BOOTH & Co.**  
ENGLAND

Timeless Design. Pioneering Performance.

Your journey to distinction awaits.

01934 744466 | sales@vado.com | www.vado.com/booth-and-co