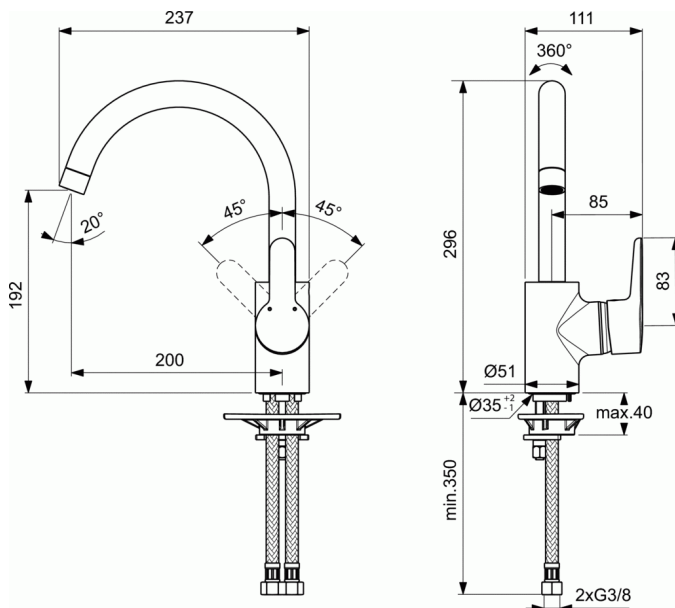


CONNECT BLUE Kitchen mixer



Kitchen mixer

- Easy-Fix fixation
- Centering & Sealing Ring
- Flexible hoses G3/8" for water supply system connection (PEX hoses - antibacterial)
- 40 mm IS cartridge with hot water limiter, with Click
- Turnable tubular spout R200 mm
- Metal handle with red and blue indicator
- Cascade aerator M22x1
- Comply with EN817

FINISHES*



AA

* AA = Chrome

KEY FEATURES & BENEFITS

