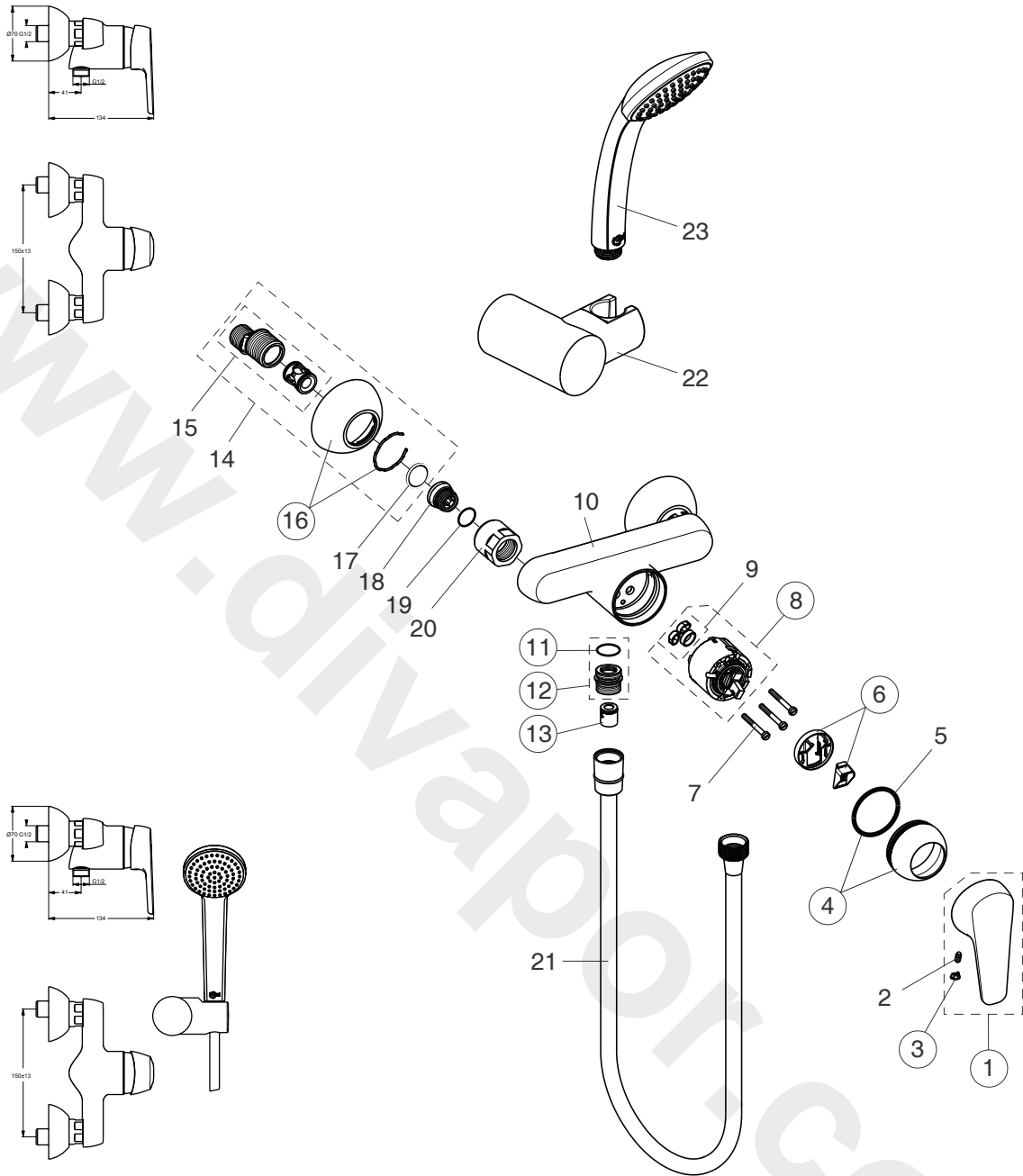


CERASPRINT (B9570AA;B9571AA)



Pos.	Signify	Spare parts-Nr.	Quantity	Pos.	Signify	Spare parts-Nr.	Quantity
1	Lever,w/logo ISI-compl.	B960948AA	1 Pcs.	15	S-connector G3/4"		2 Pcs.
2	Screw M5x10		1 Pcs.	16	Rosette	B964887AA	1 Pcs.
3	Cap(Blue/Red)	A963054NU	1 Pcs.	17	Fiber ring $\varnothing 24 \times 15 \times 2$		2 Pcs.
4	Rosette-compl.	B960276AA	1 Set	18	Nipple M19x1.5LH		2 Pcs.
5	O-Ring $\varnothing 40 \times 1$		1 Pcs.	19	O-Ring $\varnothing 15.6 \times 1.78$		2 Pcs.
6	Volume stop	A860700NU	1 Pcs.	20	Nut G3/4,S30		2 Pcs.
7	Screw M4x39		3 Pcs.	21	Shower hose 1500mm double clenched-compl.		1 Pcs.
8	Cartridge $\varnothing 47 \text{mm}$	A960500NU	1 Pcs.	22	Wall bracket swivel		1 Pcs.
9	O-Ring-set		1 Set	23	Handspray IDEALRAIN, 1F,80mm,w/logo ISI		1 Pcs.
10	Body shower		1 Pcs.				
11	O-Ring $\varnothing 18.2 \times 1.7$	A961640NU	2 Pcs.				
12	Nipple M22x1-G1/2	B964675AA	1 Pcs.				
13	Non return valve	A962594NU	2 Pcs.				
14	Connecting set		1 Set				