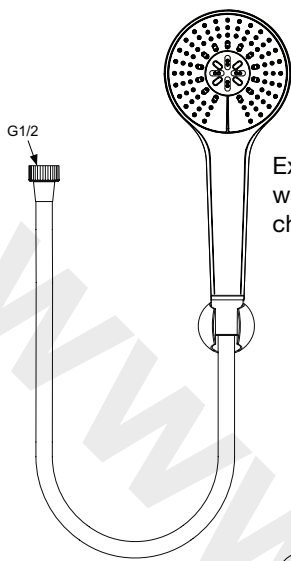
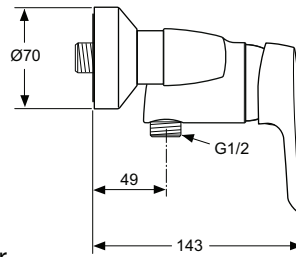


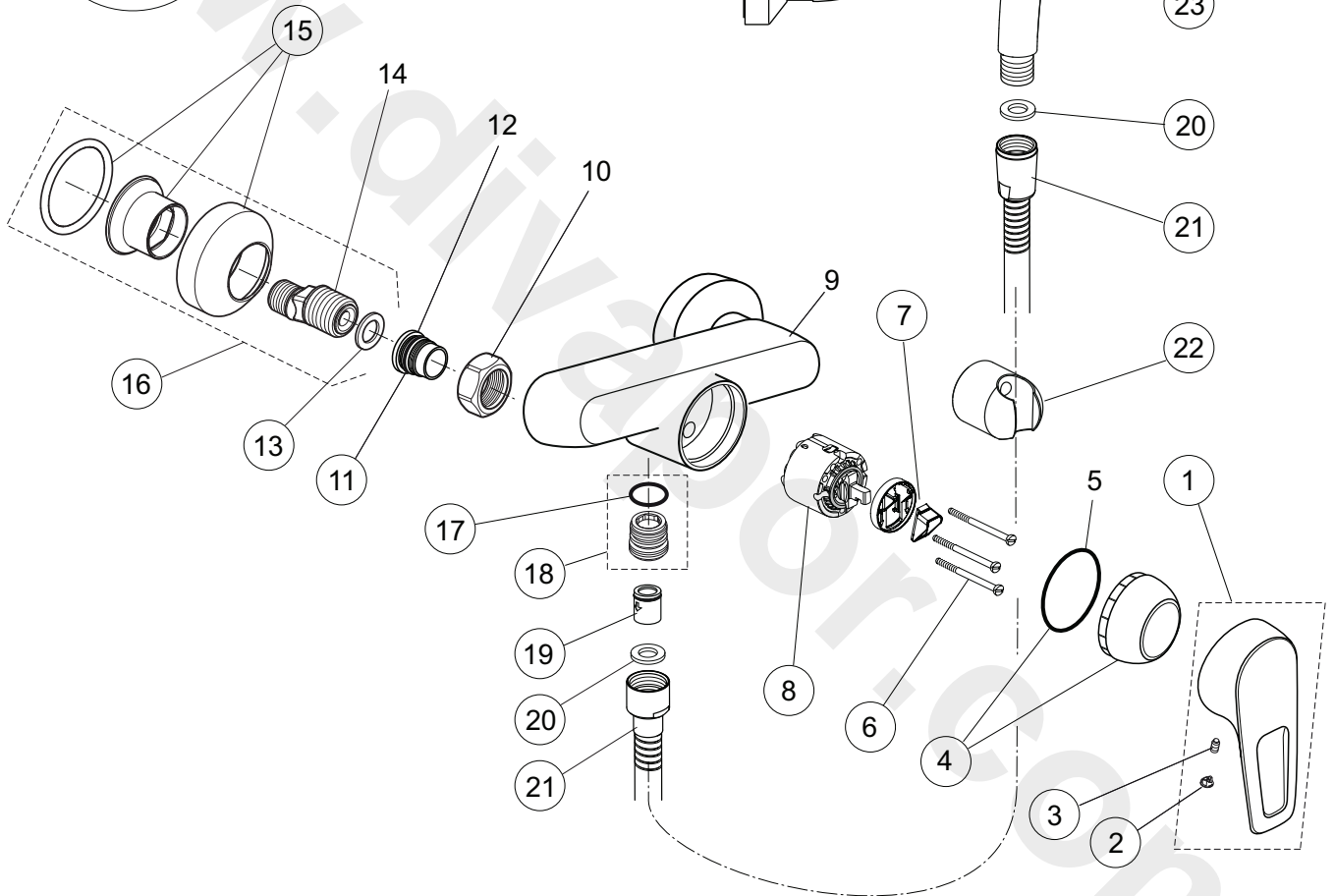
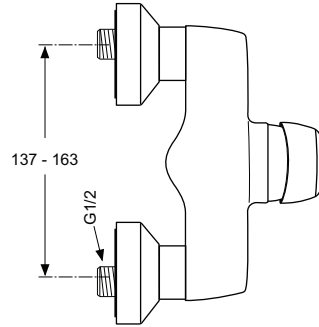
Produced from: April 2011



Exposed Shower mixer  
with hand shower, flex. hose & holder  
chrome  
**B9492AA**



Exposed Shower mixer  
chrome  
**B9493AA**



Pos.	Description	Part-Number	Qty.	Pos.	Description	Part-Number	Qty.
1	Lever cpl. with Logo ISI	<b>A 963 227 AA</b>	1 pcs	13	Fibre ring	<b>A 961 139 NU</b>	2 pcs
2	Thread pin M5x10 DIN915	<b>A 963 309 NU</b>	1 pcs	14	S-connector with low noise insert	<b>B 960 365 AA</b>	2 pcs
3	Handle cap	<b>A 963 054 NU</b>	1 pcs	15	Escutcheon set complete	<b>A 962 050 AA</b>	2 pcs
4	Cap	<b>B 960 276 AA</b>	1 pcs	16	S-connector complete	<b>A 961 640 NU</b>	2 pcs
5	O - ring Ø 39,10 x 1,30			17	O - ring Ø 18,2 x 1,7	<b>B 960 970 AA</b>	1 pcs
6	Cylindrical screws M4 x 50	<b>B 960 570 NU</b>	3 pcs	18	Nipple complete		
7	ECO-kit	<b>A 860 700 NU</b>	1 Set	19	Non-return valve	<b>A 962 594 NU</b>	2 pcs
8	Cartridge Ø47 + Pos. 7	<b>A 960 500 NU</b>	1 pcs	20	Washer Ø 18,5 / 11 x2	<b>A 961 817 NU</b>	5 pcs
9	Body Shower			21	Metal hose 150cm lg.	<b>F 960 697 AA</b>	1 pcs
10	Coupling nut G3/4			22	Wall holder f. hand shr.	<b>B 960 096 AA</b>	1 pcs
11	O - ring Ø 15,6 x 1,78	<b>A 961 182 NU</b>	2 pcs	23	Hand shower 3F / 8l/min	<b>B 9403 AA</b>	1 pcs
12	Seat M19x1,5 left Thread						